

SECTION: N/A

TOWNSHIP: 20N

RANGE: 1W

STATE ENGINEER OFFICE
WELL RECORD

Section 1. GENERAL INFORMATION

(A) Owner of well N.C.P. Owner's Well No. _____
Street or Post Office Address P.O. Box 220
City and State Cuba, NM 87013

Well was drilled under Permit No. RG-25338-S5 and is located in the:

- a. _____ ¼ _____ ¼ _____ ¼ _____ ¼ of Section 1 Township 20N Range 1W N.M.P.M.
- b. Tract No. _____ of Map No. _____ of the _____
- c. Lot No. _____ of Block No. _____ of the _____
Subdivision, recorded in _____ County.
- d. X= 308600 feet, Y= 1817700 feet, N.M. Coordinate System Central Zone in the _____ Grant.

(B) Drilling Contractor Rodgers & Company, Inc. License No. WD-225
Address 2615 Isleta Blvd., SW Albuquerque, NM

Drilling Began June 27, 1984 Completed July 3, 1984 Type tools _____ Size of hole _____ in.

Elevation of land surface or _____ at well is _____ ft. Total depth of well 451' ft.

Completed well is shallow artesian. Depth to water upon completion of well 74½' ft.

Section 2. PRINCIPAL WATER-BEARING STRATA

Depth in Feet		Thickness in Feet	Description of Water-Bearing Formation	Estimated Yield (gallons per minute)
From	To			
320'	451'		Layers of brown shale & sandstone and light white sandstone	200 G.P.M.

Section 3. RECORD OF CASING

Diameter (inches)	Pounds per foot	Threads per in.	Depth in Feet		Length (feet)	Type of Shoe	Perforations	
			Top	Bottom			From	To
10 3/4" O.D.			0'	451'	451'	None	321'	451'

Section 4. RECORD OF MUDDING AND CEMENTING

Depth in Feet		Hole Diameter	Sacks of Mud	Cubic Feet of Cement	Method of Placement
From	To				

STATE ENGINEER OFFICE
 ALBUQUERQUE, N. MEX.
 AUG 24 11:18 AM '84

Section 5. PLUGGING RECORD

Plugging Contractor _____
Address _____
Plugging Method _____
Date Well Plugged _____
Plugging approved by: _____
State Engineer Representative

No.	Depth in Feet		Cubic Feet of Cement
	Top	Bottom	
1			
2			
3			
4			

Date Received 8/24/84

FOR USE OF STATE ENGINEER ONLY

Quad _____ FWL _____ FSL _____

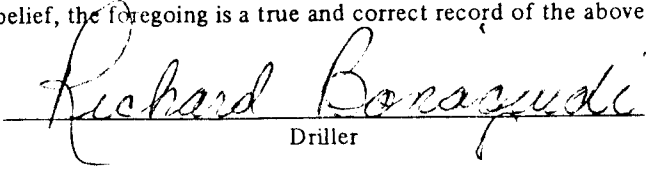
File No. RG-25338-S-5 Use mining Location No. X=308,600 Y=1,817,700
Central Zone

Section 6. LOG OF HOLE

Depth in Feet		Thickness in Feet	Color and Type of Material Encountered
From	To		
0'	2'		Shale
2'	12'		Sandstone
12'	98'		Red shale with thin sandstone stringers
98'	148'		Red shale with light purple shale layers
148'	215'		Red shale with thin green sandy shale
215'	270'		Gray shale (sticky)
270'	320'		Hard gray shale with sandstone
320'	330'		Layers of brown shale and sandstone
330'	451'		Light white sandstone

Section 7. REMARKS AND ADDITIONAL INFORMATION

The undersigned hereby certifies that, to the best of his knowledge and belief, the foregoing is a true and correct record of the above described hole.


 Driller

INSTRUCTIONS: This form should be executed in triplicate, preferably typewritten, and submitted to the appropriate district office of the State Engineer. All sections, except Section 5, shall be answered as completely and accurately as possible when any well is drilled, reworked or deepened. When this form is used as a plugging record only Section 1(a) and Section 5 need

STATE ENGINEER OFFICE
WELL RECORD

Section 1. GENERAL INFORMATION

(A) Owner of well NCP Company Owner's Well No. R3
Street or Post Office Address P.O. Box 220
City and State Cuba, NM

Well was drilled under Permit No. RG-25338-S-5 and is located in the:
a. 1/4 1/4 SW 1/2 NW 1/4 of Section 1 Township 20N Range 1W N.M.P.M.
b. Tract No. _____ of Map No. _____ of the _____
c. Lot No. _____ of Block No. _____ of the _____
Subdivision, recorded in _____ County.
d. X= _____ feet, Y= _____ feet, N.M. Coordinate System _____ Zone in
the _____ Grant.

(B) Drilling Contractor Rodgers & Company, Inc. License No. WD-225
Address 2615 Isleta Blvd., SW Albuquerque, NM

Drilling Began 11/19/84 Completed 12/6/84 Type tools _____ Size of hole _____ in.
Elevation of land surface or _____ at well is _____ ft. Total depth of well 383' ft.
Completed well is shallow artesian. Depth to water upon completion of well 47' ft.

Section 2. PRINCIPAL WATER-BEARING STRATA

Depth in Feet		Thickness in Feet	Description of Water-Bearing Formation	Estimated Yield (gallons per minute)	
From	To				
242'	385'		White sandstone, red shale	75 +	GPM

Section 3. RECORD OF CASING

Diameter (inches)	Pounds per foot	Threads per in.	Depth in Feet		Length (feet)	Type of Shoe	Perforations	
			Top	Bottom			From	To
8 5/8"	O.D.		+1'	383'	384'	None	243'	383'

Section 4. RECORD OF MUDDING AND CEMENTING

Depth in Feet		Hole Diameter	Sacks of Mud	Cubic Feet of Cement	Method of Placement
From	To				

Section 5. PLUGGING RECORD

Plugging Contractor _____
Address _____
Plugging Method _____
Date Well Plugged _____
Plugging approved by: _____
State Engineer Representative

No.	Depth in Feet		Cubic Feet of Cement
	Top	Bottom	
1			
2			
3			
4			

STATE ENGINEER OFFICE
 ALBUQUERQUE, N.M. MEX.
 05 JAN 10 11:27

FOR USE OF STATE ENGINEER ONLY

Date Received 1/10/85

Quad _____ FWL _____ FSL _____

File No. RG-25338-S-5

Use Commercial Location No. 20N.1W.1.S1/2NW1/4 (Sand)

Section 6. LOG OF HOLE

Depth in Feet		Thickness in Feet	Color and Type of Material Encountered
From	To		
0'	21'		Red clay
21'	37'		Purple clay
37'	74'		Red Shale
74'	86'		Grey shale
86'	100'		Red Shale (stickey)
100'	145'		Mixture of red and purple shale
145'	185'		Grey and brown shale
185'	193'		Brown sandstone (hard)
193'	202'		Sandstone with shale layers
202'	222'		Brown hard shale
222'	242'		Sandstone with milty colored shale layers
242'	383'		White sandstone
383'	385'		Red shale (firm)

Section 7. REMARKS AND ADDITIONAL INFORMATION

The undersigned hereby certifies that, to the best of his knowledge and belief, the foregoing is a true and correct record of the above described hole.

Arthur Silva
Driller

INSTRUCTIONS: This form should be executed in triplicate, preferably typewritten, and submitted to the appropriate district office of the State Engineer. All sections, except Section 5, shall be answered as completely and accurately as possible when any well is drilled, repaired or deepened. When this form is used as a plugging record, only Section 1(a) and Section 5 need be completed



WELL RECORD & LOG

OFFICE OF THE STATE ENGINEER

www.ose.state.nm.us

1. GENERAL AND WELL LOCATION	POD NUMBER (WELL NUMBER) RG-30534 P006			OSE FILE NUMBER(S) RG 30534										
	WELL OWNER NAME(S) Engineering/Renovation Resources Group, Inc			PHONE (OPTIONAL) 925-969-0750										
	WELL OWNER MAILING ADDRESS 185 Mason Circle			CITY STATE ZIP Concord, CA 94520										
	WELL LOCATION (FROM GPS)			* ACCURACY REQUIRED: ONE TENTH OF A SECOND * DATUM REQUIRED: WGS 84										
DEGREES			MINUTES			SECONDS								
LATITUDE			N											
LONGITUDE			W											
DESCRIPTION RELATING WELL LOCATION TO STREET ADDRESS AND COMMON LANDMARKS														
2. OPTIONAL	(2.5 ACRE) SW 1/4		(10 ACRE) SW 1/4		(40 ACRE) NW 1/4		(160 ACRE) 1/4		SECTION 1		TOWNSHIP 20		RANGE 1	
	SUBDIVISION NAME		LOT NUMBER		BLOCK NUMBER		UNIT/TRACT							
	HYDROGRAPHIC SURVEY				MAP NUMBER		TRACT NUMBER							
3. DRILLING INFORMATION	LICENSE NUMBER WD 1210		NAME OF LICENSED DRILLER WDC Exploration & Wells, Bryan Nicksie WDC				NAME OF WELL DRILLING COMPANY							
	DRILLING STARTED 7/7/08		DRILLING ENDED 7/10/08		DEPTH OF COMPLETED WELL (FT) 435'		BORE HOLE DEPTH (FT) 440'		DEPTH WATER FIRST ENCOUNTERED (FT) 265' 240'					
	COMPLETED WELL IS: <input type="checkbox"/> ARTESIAN <input type="checkbox"/> DRY HOLE <input checked="" type="checkbox"/> SHALLOW (UNCONFINED)						STATIC WATER LEVEL IN COMPLETED WELL (FT) 28'							
	DRILLING FLUID: <input type="checkbox"/> AIR <input checked="" type="checkbox"/> MUD <input type="checkbox"/> ADDITIVES - SPECIFY:													
	DRILLING METHOD: <input checked="" type="checkbox"/> ROTARY <input type="checkbox"/> HAMMER <input type="checkbox"/> CABLE TOOL <input type="checkbox"/> OTHER - SPECIFY:													
	DEPTH (FT)		BORE HOLE DIA. (IN)		CASING MATERIAL		CONNECTION TYPE (CASING)		INSIDE DIA. CASING (IN)		CASING WALL THICKNESS (IN)		SLOT SIZE (IN)	
	435 425		10 5/8"		Sch 80 PVC		F-480 Flush		5.765		.432		N/A	
	425 365		10 5/8"		Sch 80 Screen		F-480 Flush		5.765		.432		0.020"	
	365 300		10 5/8"		Sch 80 PVC		G-480 Flush		5.765		.432		N/A	
	300 20		10 5/8"		Sch 40 LCS		F-480 Flush		6"		0.250"		N/A	
DEPTH (FT)		THICKNESS (FT)		FORMATION DESCRIPTION OF PRINCIPAL WATER-BEARING STRATA (INCLUDE WATER-BEARING CAVITIES OR FRACTURE ZONES)						YIELD (GPM)				
240 415		175'		Sand Stone, Very fine to Fine grain quartz sand						100+				
METHOD USED TO ESTIMATE YIELD OF WATER-BEARING STRATA Pump Development						TOTAL ESTIMATED WELL YIELD (GPM) 100+								

FOR OSE INTERNAL USE

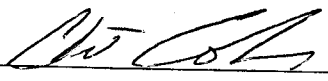
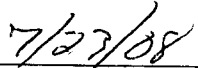
FILE NUMBER		POD NUMBER		WELL RECORD & LOG (Version 6/9/08)	
LOCATION				TRN NUMBER	
PAGE 1 OF 2					

5. SEAL AND PUMP	TYPE OF PUMP: <input type="checkbox"/> SUBMERSIBLE <input type="checkbox"/> JET <input type="checkbox"/> NO PUMP - WELL NOT EQUIPPED <input type="checkbox"/> TURBINE <input type="checkbox"/> CYLINDER <input type="checkbox"/> OTHER - SPECIFY:						
	ANNULAR SEAL AND GRAVEL PACK	DEPTH (FT)		BORE HOLE DIA. (IN)	MATERIAL TYPE AND SIZE	AMOUNT (CUBIC FT)	METHOD OF PLACEMENT
		FROM	TO				

6. GEOLOGIC LOG OF WELL	DEPTH (FT)		THICKNESS (FT)	COLOR AND TYPE OF MATERIAL ENCOUNTERED (INCLUDE WATER-BEARING CAVITIES OR FRACTURE ZONES)	WATER BEARING?		
	FROM	TO			<input type="checkbox"/> YES <input type="checkbox"/> NO	<input type="checkbox"/> YES <input type="checkbox"/> NO	

ATTACH ADDITIONAL PAGES AS NEEDED TO FULLY DESCRIBE THE GEOLOGIC LOG OF THE WELL

7. TEST & ADDITIONAL INFO	WELL TEST	METHOD: <input type="checkbox"/> BAILER <input type="checkbox"/> PUMP <input type="checkbox"/> AIR LIFT <input type="checkbox"/> OTHER - SPECIFY:
	TEST RESULTS - ATTACH A COPY OF DATA COLLECTED DURING WELL TESTING, INCLUDING START TIME, END TIME, AND A TABLE SHOWING DISCHARGE AND DRAWDOWN OVER THE TESTING PERIOD.	
	ADDITIONAL STATEMENTS OR EXPLANATIONS:	

8. SIGNATURE	THE UNDERSIGNED HEREBY CERTIFIES THAT, TO THE BEST OF HIS OR HER KNOWLEDGE AND BELIEF, THE FOREGOING IS A TRUE AND CORRECT RECORD OF THE ABOVE DESCRIBED HOLE AND THAT HE OR SHE WILL FILE THIS WELL RECORD WITH THE STATE ENGINEER AND THE PERMIT HOLDER WITHIN 20 DAYS AFTER COMPLETION OF WELL DRILLING:	
	 _____ SIGNATURE OF DRILLER	 _____ DATE

RG-30534 POD6

EXTRACTION WELL COMPLETION RECORD

DRILLING INFORMATION

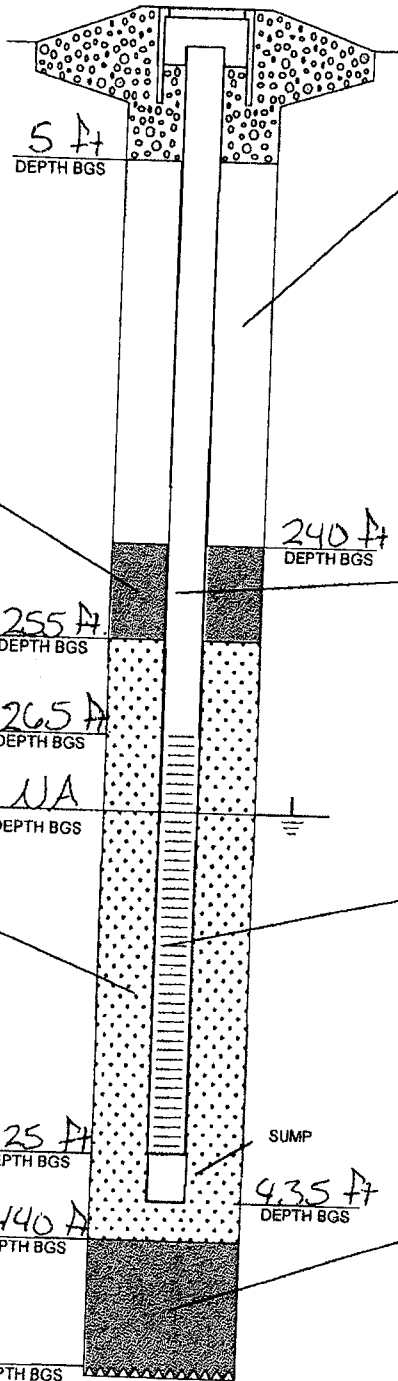
DRILLING BEGAN:
 DATE 7/7/08 TIME 1245
 WELL INSTALLATION BEGAN:
 DATE 7/10/08 TIME 1530
 WELL COMPLETION FINISHED:
 DATE 7/11/08 TIME 1400
 DRILLING CO. WDC
 DRILLER Juan Aguilar
 LICENSE WD-1210
 DRILL RIG Star 30K
 DRILLING METHOD:
 HOLLOW STEM AUGER
 AIR ROTARY
 Mud Rotary 10 5/8"
 DIAMETER OF AUGERS:
 ID _____ OD _____

SURFACE COMPLETION

FLUSH MOUNT
 ABOVE GROUND W/BUMPER POST
 CONCRETE ASPHALT

EXTRACTION WELL

EXTRACTION WELL NO. EW-2
 PROJECT 27-095
 SITE Nacimiego Copper Mine
 BOREHOLE NO. 6
 WELL PERMIT NO. RG-30534POD6
 TOC TO BOTTOM OF WELL 435 ft



BENTONITE SEAL

AMOUNT CALCULATED 200 lbs
 AMOUNT USED 250 lbs
 PELLETS, SIZE _____
 CHIPS, SIZE 3/8"
 After pack sand (5 gallons)
 PRODUCT Pure Wyoming Bentonite
 MFG. BY Black Hills Bentonite
 METHOD INSTALLED:
 POURED TREMIE
 AMOUNT OF WATER USED _____

ANNULAR SEAL

AMOUNT CALCULATED _____
 AMOUNT USED 25 bags (bentonite)
 GROUT FORMULA
 PORTLAND CEMENT 38' to 5'
 BENTONITE 240' to 38'
 WATER _____
 PREPARED MIX
 PRODUCT Wyoming Bentonite | Portland Type 1
 MFG. BY Smooth Grout | Phoenix
 METHOD INSTALLED:
 POURED TREMIE

CASING

SCHEDULE 80 PVC (245' + 10' sump)
 S900 (top 20')
 PRODUCT _____
 MFG. BY _____
 CASING DIAMETER:
 ID 6.025" OD 6.625"
 LENGTH OF CASING 265' + 10' sump

FILTER PACK

AMOUNT CALCULATED 6,900 lbs
 AMOUNT USED 6,000 lbs
 SAND, SIZE 11-20
 FORMATION COLLAPSE:
 FROM _____ TO _____
 PRODUCT Colorado Silica Sands
 MFG. BY Cermetec Ind. Sands
 METHOD INSTALLED:
 POURED TREMIE

WELL SCREEN

SCHEDULE 80 PVC

 PRODUCT _____
 MFG. BY Monument
 CASING DIAMETER:
 ID 6.025" OD 6.625"
 SLOT SIZE 0.015"
 LENGTH OF SCREEN 160'

SURVEY INFORMATION

TOC ELEVATION _____
 GROUND ELEVATION _____
 NORTHING CORD. _____
 EASTING CORD. _____
 DATE SURVEYED _____
 SURVEY CO. _____

BOREHOLE BACKFILL

AMOUNT CALCULATED 0
 AMOUNT USED 0
 BENTONITE CHIPS, SIZE _____
 SAND _____
 CEMENT _____
 FORMATION COLLAPSE _____
 PRODUCT _____
 MFG. BY _____
 METHOD INSTALLED:
 POURED TREMIE

CENTRALIZERS USED?

YES NO;
 CENTRALIZER DEPTHS: 425', 385', 345', 305'
265', 220', 180', 140'
100', 60'



Project Name and Location: Nacimiento Copper Mine, NM

Elevation:	Date Started: 7/11/2008	Time Started: 16:30	Job #: 27-095
Drilling Method: Mud Rotary	Drilling Diameter: 10 5/8 inches	Name: EW-3	
First Water Level NA	Second Water Level (date and time):	Completion Depth: 435 feet	
Drilling Co: WDC	Driller: Juan Aguilar		
Logger: Julia Danz	Signature: <i>Julia Danz</i>		

Depth (feet bgs)	Unit Graphic	Description	Estimate % of				Notes
			Gr	Sa	Si	Cl	
0							
5							
10							
15							
20							
25							
30							
35							
40	Shale	red					
45							
50	Shale	red					
55							
60	Shale	red					
65							
70	Shale	grey					
75							
80	Shale	grey					
85							
90	Shale	grey					
95							
100	Shale	grey					
105							
110							
115							
120	Shale	grey					
125							
130	Shale	grey					
135							
140	Shale	grey					
145							
150	Shale	grey					
155							
160	Shale	grey					
165							
170	Shale	grey					
175							
180	Shale	grey					
185	Shale	grey; very fine sand					
190	Sandstone	very fine grain sand; grey shale					
195							



Project Name and Location: Nacimiento Copper Mine, NM

Elevation:	Date Started: 7/11/2008	Time Started: 16:30	Job #: 27-095
Drilling Method: Mud Rotary	Drilling Diameter: 10 5/8 inches	Name: EW-3	
First Water Level: NA	Second Water Level (date and time):	Completion Depth: 435 feet	
Drilling Co: WDC	Driller: Juan Aguilar		
Logger: Julia Danz	Signature: <i>Julia Danz</i>		

Depth (feet bgs)	Unit Graphic	Description	Estimate % of				Notes
			Gr	Sa	Si	Cl	
200	Sandstone	very fine grain sand; grey shale					Aqua Zarca at 240 feet
205							
210	Shale	grey; very fine sand					
215	Shale	grey; very fine sand					
220	Shale	grey; very fine sand					
225							
230	Shale	grey; very fine sand					
235							
240	Sandstone	very fine grain quartz sand					
245	Sandstone	very fine to fine grain quartz sand					
250	Sandstone	very fine to fine grain quartz sand					
255							
260	Sandstone	very fine to medium grain quartz sand					
265							
270							
275							
280	Sandstone	very fine to fine grain quartz sand					
285							
290	Sandstone	very fine to fine grain quartz sand					
295							
300	Sandstone	very fine to medium grain quartz sand					
305							
310	Sandstone	very fine to fine grain quartz sand					
315							
320	Sandstone	very fine to fine grain quartz sand					
325							
330	Sandstone	very fine to fine grain quartz sand					
335							
340							
345							
350	Sandstone	very fine to fine grain quartz sand					
355							
360	Sandstone	very fine to fine grain quartz sand					
365							
370	Sandstone	very fine to fine grain quartz sand					
375							
380	Sandstone	very fine to fine grain quartz sand					
385							
390	Shale	grey and red shale					
395	Sandstone	very fine grain; grey and red clay					



Project Name and Location: Nacimiento Copper Mine, NM

Job #: 27-095

Elevation:	Date Started: 7/11/2008	Time Started: 16:30	Name: EW-3
Drilling Method: Mud Rotary	Drilling Diameter: 10 5/8 inches		Completion Depth: 435 feet
First Water Level: NA	Second Water Level (date and time):		
Drilling Co: WDC	Driller: Juan Aguilar		
Logger: Julia Danz	Signature: <i>Julia Danz</i>		

Depth (feet bgs)	Unit Graphic	Description	Estimate % of				Notes
			Gr	Sa	Si	Cl	
400	Sandstone	very fine to fine grain quartz sand					Shale at 420 ft
405	Sandstone	very fine to fine grain quartz sand					
410	Sandstone	very fine to fine grain quartz sand; grey clay					
415	Sandstone	very fine to medium grain quartz sand					
420	Shale	grey and red shale; very fine sand					
425	Shale	red and grey shale; very fine sand					
430	Shale	red and grey shale; very fine sand					
435	Shale	red and grey shale					
440	Shale	red shale					
445							
450							
455							
460							
465							
470							
475							
480							
485							
490							
495							
500							
505							
510							
515							
520							
525							
530							
535							
540							
545							
550							
555							
560							
565							
570							
575							
580							
585							
590							
595							

NEW MEXICO OFFICE OF THE STATE ENGINEER
APPLICATION FOR PERMIT
TO DRILL AN EXPLORATORY WELL

1. APPLICANT:

Name: Engineering/Remediation Resources Group, Inc. Work Phone: 925-969-0750
Contact: Terry. R. Winsor, P.G. Home Phone: _____
Address: 185 Mason Circle
Suite A
City: Concord State: CA Zip: 94520

2. LOCATION OF WELL (A, B, C, or D required, E or F if known):

A. SW 1/4 SW 1/4 NW 1/4 Section: 1 Township: 20N Range: 1W N.M.P.M.
in Sandoval County.

B. X = _____ feet, Y = _____ feet, N.M. Coordinate System
_____ Zone in the _____ Grant.
U.S.G.S. Quad Map Cuba

C. Latitude: _____ d _____ m _____ s Longitude: _____ d _____ m _____ s

D. East 308037.75 (m), North 1817203.96 (m), UTM Zone 13, NAD 27 (27 or 83)

E. Tract No. _____, Map No. _____ of the _____ Hydrographic Survey

F. Lot No. _____, Block No. _____ of Unit/Tract _____ of the
_____ Subdivision recorded in _____ County.

G. Other: _____

H. Give State Engineer File Number of existing well: _____

I. On land owned by (required): US Department of Agriculture Forest Service,
(Cuba Ranger Station, Santa Fe National Forest)

3. WELL INFORMATION: EW-2

Approximate depth 385 feet; Outside diameter of casing 6.625 inches.
Name of well driller and driller license number: WDC Exploration and Wells,
WD-1210

4. ADDITIONAL STATEMENT OR EXPLANATIONS:

EW-2 is one of nine (9) extraction wells to be installed as part of the Nacimiento Copper Mine OU2 Remedial Action. As provided by a contract with the USDA Forest Service, the remedial action is for groundwater that is contaminated with metals (aluminum, cadmium, copper, iron, lead, manganese, nickel and zinc) and acids (primarily sulfuric acid but also includes ferric acid, aluminum sulfate, and ferrous sulfate). Contaminated groundwater that is more than 150 feet below the ground surface in the area of construction will be pumped from extraction wells constructed with nominal 6-inch Schedule PVC casing to a settling pond and semi-passive alcohol-enhanced bioreactor where it will be remediated before being discharged to surface waters.

Do Not Write Below This Line

File Number: _____
Form: wr-07

Trn Number: _____

**NEW MEXICO OFFICE OF THE STATE ENGINEER
PERMIT TO EXPLORE
CONDITIONS OF APPROVAL**

This application is approved provided it is exercised to the detriment of any others having existing rights, and is not contrary to the conservation of water in New Mexico nor detrimental to the public welfare of the state; and further subject to the following conditions of approval:

Permittee: Engineering/Remediation Resources Group, Inc.
c/o Terry R. Winsor, P.G., 185 Mason Circle, Suite A
Concord, California 94520

Permit Numbers: RG-30534 POD5 thru RG-30534 POD13

Application File Date: August 23 and 27, 2007

Points of Diversion: RG-30534 POD5 (designated EW-1) to be located at a point where East=308,053.58 meters and North=1,817,012.22 meters, UTM Zone 13, NAD 1927;

RG-30534 POD6 (designated EW-2) to be located at a point where East=308,037.75 meters and North=1,817,203.96 meters, UTM Zone 13, NAD 1927;

RG-30534 POD7 (designated EW-3) to be located at a point where East=308,010.14 meters and North=1,817,480.94 meters, UTM Zone 13, NAD 1927;

RG-30534 POD8 (designated EW-4) to be located at a point where East=308,140.37 meters and North=1,817,012.22 meters, UTM Zone 13, NAD 1927;

RG-30534 POD9 (designated EW-5) to be located at a point where East=308,145.57 meters and North=1,817,169.57 meters, UTM Zone 13, NAD 1927;

RG-30534 POD10 (designated EW-6) to be located at a point where East=308,179.49 meters and North=1,817,290.09 meters, UTM Zone 13, NAD 1927;

RG-30534 POD11 (designated EW-7) to be located at a point where East=308,314.07 meters and North=1,817,051.29 meters, UTM Zone 13, NAD 1927;

*Permit to Explore
Conditions of Approval
Page 2*

RG-30534 POD12 (designated EW-9) to be located at a point where East=308,320.55 meters and North=1,817,155.49 meters, UTM Zone 13, NAD 1927;

RG-30534 POD13 (designated EW-9) to be located at a point where East=308,339.29 meters and North=1,817,290.09 meters, UTM Zone 13, NAD 1927; all wells on land owned by US Department of Agriculture Forest Service, Sandoval County, New Mexico.

1. No water shall be appropriated and beneficially used under this permit.
2. The wells shall be drilled by a driller licensed in accordance with 19.27.4 NMAC.
3. A complete and properly executed Well Record on the form provided by the State Engineer shall be filed in accordance with Subsection K of 19.27.4.29 NMAC. Test data shall be filed not later than ten (10) days after completion of the test(s).
4. No water shall be diverted from the wells except for testing purposes which shall not exceed ten (10) cumulative days, and the wells shall be plugged in accordance with Subsection C of 19.27.4.30 NMAC on or before October 9, 2008, unless a permit to use water from this well is acquired from the Office of the State Engineer.
5. If artesian water is encountered, the permittee and driller shall comply with Subsection C of 19.27.4.31 NMAC.
6. Wells numbered RG-30534 POD5 thru RG-30534 POD13 must be completed and the Well Records filed on or before October 9, 2008.

Witness my hand and seal this 9th day of October, A.D. 2007.

John R. D'Antonio, Jr., P.E.
NEW MEXICO STATE ENGINEER

By: Nancy Cunningham Rodriguez
Nancy Cunningham Rodriguez
Water Resource Supervisor, District 1

Transaction Number: 389840



WELL RECORD & LOG

OFFICE OF THE STATE ENGINEER

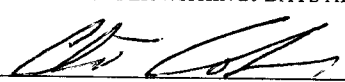
www.ose.state.nm.us

1. GENERAL AND WELL LOCATION	POD NUMBER (WELL NUMBER) RG-30534-POD7				OSE FILE NUMBER(S) RG-30534									
	WELL OWNER NAME(S) Engineering Remediation Resources Group, Inc.				PHONE (OPTIONAL) 925-969-0750									
	WELL OWNER MAILING ADDRESS 185 Mason Circle				CITY Concord, CA		STATE ZIP 94520							
	WELL LOCATION (FROM GPS)		DEGREES MINUTES SECONDS LATITUDE N LONGITUDE W		* ACCURACY REQUIRED: ONE TENTH OF A SECOND * DATUM REQUIRED: WGS 84									
DESCRIPTION RELATING WELL LOCATION TO STREET ADDRESS AND COMMON LANDMARKS East 308010.14(m) North 1817480.94(m) UTM zone 13, Nad 27														
2. OPTIONAL	(2.5 ACRE) SW 1/4		(10 ACRE) SW 1/4		(40 ACRE) NW 1/4		(160 ACRE) 1/4		SECTION 1	TOWNSHIP 20	RANGE 1			
	<input checked="" type="checkbox"/> NORTH <input type="checkbox"/> SOUTH		<input type="checkbox"/> EAST <input checked="" type="checkbox"/> WEST		SUBDIVISION NAME		LOT NUMBER		BLOCK NUMBER		UNIT/TRACT			
	HYDROGRAPHIC SURVEY		MAP NUMBER		TRACT NUMBER									
3. DRILLING INFORMATION	LICENSE NUMBER WD 1210		NAME OF LICENSED DRILLER Bryan Nydaske				NAME OF WELL DRILLING COMPANY WDC Exploration							
	DRILLING STARTED 7/12/08		DRILLING ENDED 7/14/08		DEPTH OF COMPLETED WELL (FT) 430'		BORE HOLE DEPTH (FT) 435'		DEPTH WATER FIRST ENCOUNTERED (FT) 230'					
	COMPLETED WELL IS:		<input type="checkbox"/> ARTESIAN		<input type="checkbox"/> DRY HOLE		<input checked="" type="checkbox"/> SHALLOW (UNCONFINED)							
	DRILLING FLUID:		<input type="checkbox"/> AIR		<input checked="" type="checkbox"/> MUD		<input type="checkbox"/> ADDITIVES - SPECIFY:							
	DRILLING METHOD:		<input checked="" type="checkbox"/> ROTARY		<input type="checkbox"/> HAMMER		<input type="checkbox"/> CABLE TOOL		<input type="checkbox"/> OTHER - SPECIFY:					
	DEPTH (FT)		BORE HOLE DIA. (IN)		CASING MATERIAL		CONNECTION TYPE (CASING)		INSIDE DIA. CASING (IN)		CASING WALL THICKNESS (IN)		SLOT SIZE (IN)	
	430 420		10 5/8"		Sch 80 PVC		F-480 Flush		5.765		.432		N/A	
	420 240		10 5/8"		Sch 80 Screen PVC		F-480 Flush		5.765		.432		0.020"	
	240 20		10 5/8"		Sch 80 PVC		F-480 Flush		5.765		.432		N/A	
	20 0		10 5/8"		Sch 40 LCS		F-480 Flush		6"		.250		N/A	
4. WATER BEARING STRATA	DEPTH (FT)		THICKNESS (FT)		FORMATION DESCRIPTION OF PRINCIPAL WATER-BEARING STRATA (INCLUDE WATER-BEARING CAVITIES OR FRACTURE ZONES)						YIELD (GPM)			
	230 370		140		Sand Stone, very fine to fine grain quartz sand						100+			
METHOD USED TO ESTIMATE YIELD OF WATER-BEARING STRATA Pump								TOTAL ESTIMATED WELL YIELD (GPM) 100+						

FOR OSE INTERNAL USE

WELL RECORD & LOG (Version 6/9/08)

FILE NUMBER	POD NUMBER	TRN NUMBER
LOCATION		PAGE 1 OF 2

5. SEAL AND PUMP	TYPE OF PUMP: <input type="checkbox"/> SUBMERSIBLE <input type="checkbox"/> JET <input type="checkbox"/> NO PUMP - WELL NOT EQUIPPED <input type="checkbox"/> TURBINE <input type="checkbox"/> CYLINDER <input type="checkbox"/> OTHER - SPECIFY:						
	ANNULAR SEAL AND GRAVEL PACK	DEPTH (FT)		BORE HOLE DIA. (IN)	MATERIAL TYPE AND SIZE	AMOUNT (CUBIC FT)	METHOD OF PLACEMENT
		FROM	TO				
6. GEOLOGIC LOG OF WELL	DEPTH (FT)		THICKNESS (FT)	COLOR AND TYPE OF MATERIAL ENCOUNTERED (INCLUDE WATER-BEARING CAVITIES OR FRACTURE ZONES)		WATER BEARING?	
	FROM	TO				<input type="checkbox"/> YES	<input type="checkbox"/> NO
						<input type="checkbox"/> YES	<input type="checkbox"/> NO
						<input type="checkbox"/> YES	<input type="checkbox"/> NO
						<input type="checkbox"/> YES	<input type="checkbox"/> NO
						<input type="checkbox"/> YES	<input type="checkbox"/> NO
						<input type="checkbox"/> YES	<input type="checkbox"/> NO
						<input type="checkbox"/> YES	<input type="checkbox"/> NO
						<input type="checkbox"/> YES	<input type="checkbox"/> NO
						<input type="checkbox"/> YES	<input type="checkbox"/> NO
						<input type="checkbox"/> YES	<input type="checkbox"/> NO
						<input type="checkbox"/> YES	<input type="checkbox"/> NO
						<input type="checkbox"/> YES	<input type="checkbox"/> NO
						<input type="checkbox"/> YES	<input type="checkbox"/> NO
						<input type="checkbox"/> YES	<input type="checkbox"/> NO
ATTACH ADDITIONAL PAGES AS NEEDED TO FULLY DESCRIBE THE GEOLOGIC LOG OF THE WELL							
7. TEST & ADDITIONAL INFO	WELL TEST METHOD: <input type="checkbox"/> BAILER <input type="checkbox"/> PUMP <input type="checkbox"/> AIR LIFT <input type="checkbox"/> OTHER - SPECIFY:						
	TEST RESULTS - ATTACH A COPY OF DATA COLLECTED DURING WELL TESTING, INCLUDING START TIME, END TIME, AND A TABLE SHOWING DISCHARGE AND DRAWDOWN OVER THE TESTING PERIOD.						
	ADDITIONAL STATEMENTS OR EXPLANATIONS:						
8. SIGNATURE	THE UNDERSIGNED HEREBY CERTIFIES THAT, TO THE BEST OF HIS OR HER KNOWLEDGE AND BELIEF, THE FOREGOING IS A TRUE AND CORRECT RECORD OF THE ABOVE DESCRIBED HOLE AND THAT HE OR SHE WILL FILE THIS WELL RECORD WITH THE STATE ENGINEER AND THE PERMIT HOLDER WITHIN 20 DAYS AFTER COMPLETION OF WELL DRILLING:						
	 _____ SIGNATURE OF DRILLER				7/23/05 _____ DATE		

FOR OSE INTERNAL USE		WELL RECORD & LOG (Version 6/9/08)	
FILE NUMBER	POD NUMBER	TRN NUMBER	
LOCATION			PAGE 2 OF 2

RG-30534 POD7

EXTRACTION WELL COMPLETION RECORD

DRILLING INFORMATION

DRILLING BEGAN: DATE 7/12/08 TIME 7:45
WELL INSTALLATION BEGAN: DATE 7/14/08 TIME 10:10
WELL COMPLETION FINISHED: DATE 7/15/08 TIME 12:30
DRILLING CO. WDC
DRILLER Juan Aguilar
LICENSE WJD-1210
DRILL RIG Srac 30k
DRILLING METHOD: MUD ROTARY 10 3/8"
DIAMETER OF AUGERS: ID OD

SURFACE COMPLETION

FLUSH MOUNT
ABOVE GROUND W/BUMPER POST
CONCRETE ASPHALT

EXTRACTION WELL

EXTRACTION WELL NO. EW-3
PROJECT 27-095
SITE Nacimido Copper Mine
BOREHOLE NO. 7
WELL PERMIT NO. RG-30534POD7
TOC TO BOTTOM OF WELL 430 FT

BENTONITE SEAL

AMOUNT CALCULATED 200 lbs
AMOUNT USED 250 lbs
CHIPS, SIZE 3/8"
Mud packs sand (5 gallons)
PRODUCT Pure Wyoming Bentonite
MFG. BY Black Hills Bentonite
METHOD INSTALLED: TREMIE
AMOUNT OF WATER USED

FILTER PACK

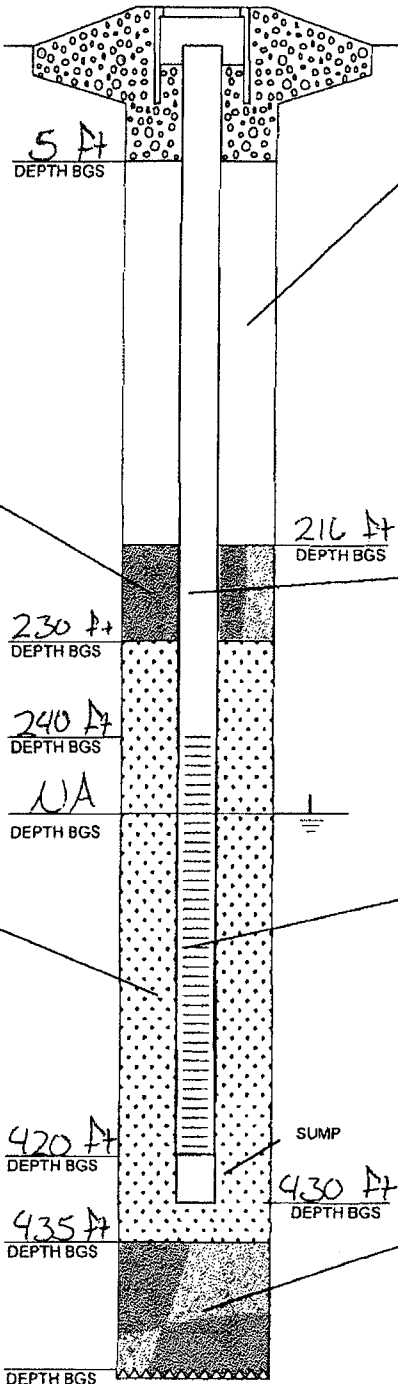
AMOUNT CALCULATED 7650 lbs
AMOUNT USED 6750 lbs
SAND, SIZE 10-20
FORMATION COLLAPSE:
FROM TO
PRODUCT Colorado Silica Sands
MFG. BY Carmeuse Ind. Sands
METHOD INSTALLED: TREMIE

SURVEY INFORMATION

TOC ELEVATION
GROUND ELEVATION
NORTHING CORD.
EASTING CORD.
DATE SURVEYED
SURVEY CO.

CENTRALIZERS USED?

YES NO
CENTRALIZER DEPTHS: 420, 380, 340, 300, 260, 220, 180, 140, 100, 60



ANNULAR SEAL

AMOUNT CALCULATED
AMOUNT USED ~30 bags (bentonite)
GROUT FORMULA: PORTLAND CEMENT ~30' to 5', BENTONITE 216' 90~30', WATER
PREPARED MIX: PRODUCT Wyoming Bentonite, MFG. BY Smooth Grout, PORTLAND Type 1/II, PHOENIX Cement
METHOD INSTALLED: TREMIE

CASING

SCHEDULE 80 PVC (220' + 10' sump)
59x (top 20')
PRODUCT
MFG. BY
CASING DIAMETER: ID 6.025" OD 6.625"
LENGTH OF CASING 210' + 10' sump

WELL SCREEN

SCHEDULE 80 PVC
PRODUCT
MFG. BY Monitormat
CASING DIAMETER: ID 6.025" OD 6.625"
SLOT SIZE 0.015"
LENGTH OF SCREEN 180'

BOREHOLE BACKFILL

AMOUNT CALCULATED 0
AMOUNT USED 0
BENTONITE CHIPS, SIZE
SAND
CEMENT
FORMATION COLLAPSE
PRODUCT
MFG. BY
METHOD INSTALLED: POURED TREMIE



Project Name and Location: Nacimiento Copper Mine, NM				Job #: 27-095			
Elevation:		Date Started: 6/24/2008		Time Started: 15:55		Name: EW-5	
Drilling Method: Mud Rotary			Drilling Diameter: 10 5/8 inches			Completion Depth: 400 feet	
First Water Level: NA		Second Water Level (date and time):					
Drilling Co: WDC			Driller: Hector Leon and Juan Aguilar				
Logger: Julia Danz			Signature: <i>Julia Danz</i>				
Depth (feet bgs)	Unit Graphic	Description	Estimate % of				Notes
			Gr	Sa	Si	Cl	
0							
5							
10							
15							
20	Shale	grey-green					
25							
30	Shale	grey-green					
35							
40	Shale	grey-green					
45							
50							
55							
60	Shale	grey-green					
65							
70							
75							
80	Shale	red					
85							
90							
95							
100	Shale	grey					
105							
110	Shale	grey					
115	Shale	grey; fine grained sand					
120							
125							
130	Shale	grey					
135							
140	Shale	grey					
145							
150	Shale	grey					
155							
160	Shale	grey					
165							
170	Shale	grey					
175							
180	Shale	grey					
185							
190	Shale	grey					
195							



Project Name and Location: Nacimiento Copper Mine, NM				Job #: 27-095			
Elevation:		Date Started: 6/24/2008		Time Started: 15:55		Name: EW-5	
Drilling Method: Mud Rotary				Drilling Diameter: 10 5/8 inches		Completion Depth: 400 feet	
First Water Level:		NA		Second Water Level (date and time):			
Drilling Co: WDC				Driller: Hector Leon and Juan Aguilar			
Logger: Julia Danz				Signature: <i>Julia Danz</i>			
Depth (feet bgs)	Unit Graphic	Description	Estimate % of				Notes
			Gr	Sa	Si	Cl	
200	Shale	grey					Aqua Zarca at 227 feet
205							
210	Shale	grey					
215							
220	Shale	grey					
225							
230	Sandstone	fine to coarse grain quartz sand					
235	Sandstone	fine to coarse grain quartz sand					
240	Sandstone	fine grained quartz sand					
245							
250							
255							
260							
265							
270							
275							
280							
285							
290							
295							
300							
305							
310	Sandstone	very fine to fine grain quartz sand					
315							
320	Sandstone	very fine to fine grain quartz sand					
325							
330	Sandstone	very fine to fine grain quartz sand					
335							
340							
345							
350	Sandstone	very fine to medium grain quartz sand					
355							
360	Sandstone	very fine to coarse grain quartz, feldspar, and mafic sand					
365							
370	Sandstone	very fine to fine grain quartz sand; grey shale					
375	Shale	grey and red				Shale contact at 375 feet	
380	Shale	red and grey					
385	Shale	red					
390	Shale	red					
395	Shale	red					

NEW MEXICO OFFICE OF THE STATE ENGINEER
APPLICATION FOR PERMIT
TO DRILL AN EXPLORATORY WELL

1. APPLICANT:

Name: Engineering/Remediation Resources Group, Inc. Work Phone: 925-969-0750
Contact: Terry. R. Winsor, P.G. Home Phone: _____
Address: 185 Mason Circle
Suite A
City: Concord State: CA Zip: 94520

2. LOCATION OF WELL (A, B, C, or D required, E or F if known):

- A. SW 1/4 SW 1/4 NW 1/4 Section: 1 Township: 20N Range: 1W N.M.P.M.
in Sandoval County.
- B. X = _____ feet, Y = _____ feet, N.M. Coordinate System
_____ Zone in the _____ Grant.
U.S.G.S. Quad Map Cuba
- C. Latitude: _____ d _____ m _____ s Longitude: _____ d _____ m _____ s
- D. East 308010.14 (m), North 1817480.94 (m), UTM Zone 13, NAD 27 (27 or 83)
- E. Tract No. _____, Map No. _____ of the _____ Hydrographic Survey
- F. Lot No. _____, Block No. _____ of Unit/Tract _____ of the
_____ Subdivision recorded in _____ County.
- G. Other: _____
- H. Give State Engineer File Number of existing well: _____
- I. On land owned by (required): US Department of Agriculture Forest Service,
(Cuba Ranger Station, Santa Fe National Forest)

3. WELL INFORMATION: EW-3

Approximate depth 380 feet; Outside diameter of casing 6.625 inches.
Name of well driller and driller license number: WDC Exploration and Wells,
WD-1210

4. ADDITIONAL STATEMENT OR EXPLANATIONS:

EW-3 is one of nine (9) extraction wells to be installed as part of the Nacimiento Copper Mine OU2 Remedial Action. As provided by a contract with the USDA Forest Service, the remedial action is for groundwater that is contaminated with metals (aluminum, cadmium, copper, iron, lead, manganese, nickel and zinc) and acids (primarily sulfuric acid but also includes ferric acid, aluminum sulfate, and ferrous sulfate). Contaminated groundwater that is more than 150 feet below the ground surface in the area of construction will be pumped from extraction wells constructed with nominal 6-inch Schedule PVC casing to a settling pond and semi-passive alcohol-enhanced bioreactor where it will be remediated before being discharged to surface waters.

Do Not Write Below This Line

File Number: _____
Form: wr-07

Trn Number: _____

**NEW MEXICO OFFICE OF THE STATE ENGINEER
APPLICATION FOR PERMIT
TO DRILL AN EXPLORATORY WELL**

ACKNOWLEDGEMENT

(I, We) Terry R. Winsor, P.G. and ERRG, Inc. affirm that the
(Please Print)
foregoing statements are true to the best of my knowledge and belief.

Applicant Signature

Terry R. Winsor

Applicant Signature

ACTION OF STATE ENGINEER

This application is approved/denied/partially approved provided it is not exercised to the detriment of any others having existing rights, and is not contrary to the conservation of water in New Mexico nor detrimental to the public welfare, and further subject to the following conditions: _____

Witness my hand and seal this _____ day of _____, 20 _____

_____, State Engineer

By: _____

04/03/2010 10:11:11 AM
NEW MEXICO OFFICE OF THE STATE ENGINEER

Do Not Write Below This Line

NEW MEXICO OFFICE OF THE STATE ENGINEER
PERMIT TO EXPLORE
CONDITIONS OF APPROVAL

This application is approved provided it is exercised to the detriment of any others having existing rights, and is not contrary to the conservation of water in New Mexico nor detrimental to the public welfare of the state; and further subject to the following conditions of approval:

Permittee: Engineering/Remediation Resources Group, Inc.
c/o Terry R. Winsor, P.G., 185 Mason Circle, Suite A
Concord, California 94520

Permit Numbers: RG-30534 POD5 thru RG-30534 POD13

Application File Date: August 23 and 27, 2007

Points of Diversion: RG-30534 POD5 (designated EW-1) to be located at a point where East=308,053.58 meters and North=1,817,012.22 meters, UTM Zone 13, NAD 1927;

RG-30534 POD6 (designated EW-2) to be located at a point where East=308,037.75 meters and North=1,817,203.96 meters, UTM Zone 13, NAD 1927;

RG-30534 POD7 (designated EW-3) to be located at a point where East=308,010.14 meters and North=1,817,480.94 meters, UTM Zone 13, NAD 1927;

RG-30534 POD8 (designated EW-4) to be located at a point where East=308,140.37 meters and North=1,817,012.22 meters, UTM Zone 13, NAD 1927;

RG-30534 POD9 (designated EW-5) to be located at a point where East=308,145.57 meters and North=1,817,169.57 meters, UTM Zone 13, NAD 1927;

RG-30534 POD10 (designated EW-6) to be located at a point where East=308,179.49 meters and North=1,817,290.09 meters, UTM Zone 13, NAD 1927;

RG-30534 POD11 (designated EW-7) to be located at a point where East=308,314.07 meters and North=1,817,051.29 meters, UTM Zone 13, NAD 1927;

*Permit to Explore
Conditions of Approval
Page 2*

RG-30534 POD12 (designated EW-9) to be located at a point where East=308,320.55 meters and North=1,817,155.49 meters, UTM Zone 13, NAD 1927;

RG-30534 POD13 (designated EW-9) to be located at a point where East=308,339.29 meters and North=1,817,290.09 meters, UTM Zone 13, NAD 1927; all wells on land owned by US Department of Agriculture Forest Service, Sandoval County, New Mexico.

1. No water shall be appropriated and beneficially used under this permit.
2. The wells shall be drilled by a driller licensed in accordance with 19.27.4 NMAC.
3. A complete and properly executed Well Record on the form provided by the State Engineer shall be filed in accordance with Subsection K of 19.27.4.29 NMAC. Test data shall be filed not later than ten (10) days after completion of the test(s).
4. No water shall be diverted from the wells except for testing purposes which shall not exceed ten (10) cumulative days, and the wells shall be plugged in accordance with Subsection C of 19.27.4.30 NMAC on or before October 9, 2008, unless a permit to use water from this well is acquired from the Office of the State Engineer.
5. If artesian water is encountered, the permittee and driller shall comply with Subsection C of 19.27.4.31 NMAC.
6. Wells numbered RG-30534 POD5 thru RG-30534 POD13 must be completed and the Well Records filed on or before October 9, 2008.

Witness my hand and seal this 9th day of October, A.D. 2007.

John R. D'Antonio, Jr., P.E.
NEW MEXICO STATE ENGINEER

By: *Nancy Cunningham Rodriguez*
Nancy Cunningham Rodriguez
Water Resource Supervisor, District 1

Transaction Number: 389840



WELL RECORD & LOG

OFFICE OF THE STATE ENGINEER

www.ose.state.nm.us

1. GENERAL AND WELL LOCATION	POD NUMBER (WELL NUMBER) RG-30534 POD9				OSE FILE NUMBER(S) RG 30534				
	WELL OWNER NAME(S) Engineering Remediation Resources Group, Inc.				PHONE (OPTIONAL) 925-969-0750				
	WELL OWNER MAILING ADDRESS 185 Mason Circle				CITY Concord, CA		STATE ZIP 94520		
	WELL LOCATION (FROM GPS)		DEGREES MINUTES SECONDS LATITUDE N LONGITUDE W		* ACCURACY REQUIRED: ONE TENTH OF A SECOND * DATUM REQUIRED: WGS 84				
DESCRIPTION RELATING WELL LOCATION TO STREET ADDRESS AND COMMON LANDMARKS									
2. OPTIONAL	(2.5 ACRE) SW 1/4		(10 ACRE) SW 1/4		(40 ACRE) NW 1/4		(160 ACRE) 1/4		
	SUBDIVISION NAME				SECTION 1		TOWNSHIP 20 <input checked="" type="checkbox"/> NORTH <input type="checkbox"/> SOUTH		
	HYDROGRAPHIC SURVEY				LOT NUMBER		RANGE 1 <input type="checkbox"/> EAST <input checked="" type="checkbox"/> WEST		
				BLOCK NUMBER		UNIT/TRACT			
				MAP NUMBER		TRACT NUMBER			
3. DRILLING INFORMATION	LICENSE NUMBER WD1210		NAME OF LICENSED DRILLER Bryan Nudoske			NAME OF WELL DRILLING COMPANY WDC Exploration & Wells			
	DRILLING STARTED 6/24/08		DRILLING ENDED 7/3/08		DEPTH OF COMPLETED WELL (FT) 390'		BORE HOLE DEPTH (FT) 400'		
					DEPTH WATER FIRST ENCOUNTERED (FT) 230'		STATIC WATER LEVEL IN COMPLETED WELL (FT) 28'		
	COMPLETED WELL IS: <input type="checkbox"/> ARTESIAN <input type="checkbox"/> DRY HOLE <input checked="" type="checkbox"/> SHALLOW (UNCONFINED)								
	DRILLING FLUID: <input type="checkbox"/> AIR <input checked="" type="checkbox"/> MUD <input type="checkbox"/> ADDITIVES - SPECIFY:								
	DRILLING METHOD: <input checked="" type="checkbox"/> ROTARY <input type="checkbox"/> HAMMER <input type="checkbox"/> CABLE TOOL <input type="checkbox"/> OTHER - SPECIFY:								
	DEPTH (FT)		BORE HOLE DIA. (IN)		CASING MATERIAL		CONNECTION TYPE (CASING)		
	FROM	TO					INSIDE DIA. CASING (IN)		
							CASING WALL THICKNESS (IN)		
							SLOT SIZE (IN)		
390		380		10 5/8"		Sch 80 PVC 6"			
380		220		10 5/8"		Sch 80 PVC Screen 6"			
220		20		10 5/8"		Sch 80 PVC 6"			
20		0		10 5/8"		Sch 40 LCS 6"			
						F-480 Flush			
						5.765			
						.42			
						N/A			
						2.020"			
						5.765			
						.42			
						N/A			
						6"			
						.250			
						N/A			
						N/A			
4. WATER BEARING STRATA	DEPTH (FT)		THICKNESS (FT)		FORMATION DESCRIPTION OF PRINCIPAL WATER-BEARING STRATA (INCLUDE WATER-BEARING CAVITIES OR FRACTURE ZONES)				
	FROM	TO							
230		370		140'		Sandstone, very fine to fine grain quartz sand			
METHOD USED TO ESTIMATE YIELD OF WATER-BEARING STRATA Pump						TOTAL ESTIMATED WELL YIELD (GPM) 100+			

FOR OSE INTERNAL USE

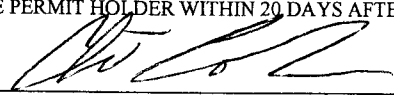
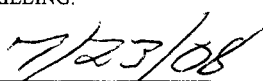
WELL RECORD & LOG (Version 6/9/08)

FILE NUMBER	POD NUMBER	TRN NUMBER
LOCATION	PAGE 1 OF 2	

5. SEAL AND PUMP	TYPE OF PUMP: <input type="checkbox"/> SUBMERSIBLE <input type="checkbox"/> JET <input type="checkbox"/> NO PUMP - WELL NOT EQUIPPED <input type="checkbox"/> TURBINE <input type="checkbox"/> CYLINDER <input type="checkbox"/> OTHER - SPECIFY:						
	ANNULAR SEAL AND GRAVEL PACK	DEPTH (FT)		BORE HOLE DIA. (IN)	MATERIAL TYPE AND SIZE	AMOUNT (CUBIC FT)	METHOD OF PLACEMENT
		FROM	TO				

6. GEOLOGIC LOG OF WELL	DEPTH (FT)		THICKNESS (FT)	COLOR AND TYPE OF MATERIAL ENCOUNTERED (INCLUDE WATER-BEARING CAVITIES OR FRACTURE ZONES)	WATER BEARING?
	FROM	TO			<input type="checkbox"/> YES <input type="checkbox"/> NO
					<input type="checkbox"/> YES <input type="checkbox"/> NO
					<input type="checkbox"/> YES <input type="checkbox"/> NO
					<input type="checkbox"/> YES <input type="checkbox"/> NO
					<input type="checkbox"/> YES <input type="checkbox"/> NO
					<input type="checkbox"/> YES <input type="checkbox"/> NO
					<input type="checkbox"/> YES <input type="checkbox"/> NO
					<input type="checkbox"/> YES <input type="checkbox"/> NO
					<input type="checkbox"/> YES <input type="checkbox"/> NO
					<input type="checkbox"/> YES <input type="checkbox"/> NO
					<input type="checkbox"/> YES <input type="checkbox"/> NO
					<input type="checkbox"/> YES <input type="checkbox"/> NO
					<input type="checkbox"/> YES <input type="checkbox"/> NO
					<input type="checkbox"/> YES <input type="checkbox"/> NO
ATTACH ADDITIONAL PAGES AS NEEDED TO FULLY DESCRIBE THE GEOLOGIC LOG OF THE WELL					

7. TEST & ADDITIONAL INFO	WELL TEST	METHOD: <input type="checkbox"/> BAILER <input type="checkbox"/> PUMP <input type="checkbox"/> AIR LIFT <input type="checkbox"/> OTHER - SPECIFY:
	TEST RESULTS - ATTACH A COPY OF DATA COLLECTED DURING WELL TESTING, INCLUDING START TIME, END TIME, AND A TABLE SHOWING DISCHARGE AND DRAWDOWN OVER THE TESTING PERIOD.	
	ADDITIONAL STATEMENTS OR EXPLANATIONS:	

8. SIGNATURE	THE UNDERSIGNED HEREBY CERTIFIES THAT, TO THE BEST OF HIS OR HER KNOWLEDGE AND BELIEF, THE FOREGOING IS A TRUE AND CORRECT RECORD OF THE ABOVE DESCRIBED HOLE AND THAT HE OR SHE WILL FILE THIS WELL RECORD WITH THE STATE ENGINEER AND THE PERMIT HOLDER WITHIN 20 DAYS AFTER COMPLETION OF WELL DRILLING:	
	 _____ SIGNATURE OF DRILLER	 _____ DATE

EXTRACTION WELL COMPLETION RECORD

DRILLING INFORMATION

DRILLING BEGAN:
 DATE 6/24/08 TIME 1555
 WELL INSTALLATION BEGAN:
 DATE 7/3/08 TIME 900
 WELL COMPLETION FINISHED:
 DATE 7/7/08 TIME 1030
 DRILLING CO. WDC
 DRILLER Hector Leon/Juan Aguilar
 LICENSE WD-1210
 DRILL RIG Star 30k
 DRILLING METHOD:
 HOLLOW STEM AUGER
 AIR ROTARY
 Mud Rotary 10 5/8"
 DIAMETER OF AUGERS:
 ID _____ OD _____

BENTONITE SEAL

AMOUNT CALCULATED 200 lbs
 AMOUNT USED 250 lbs
 PELLETS, SIZE _____
 CHIPS, SIZE 3/8"
 Filter pack sand (5 gallons)
 PRODUCT _____
 MFG. BY _____
 METHOD INSTALLED:
 POURED TREMIE
 AMOUNT OF WATER USED _____

FILTER PACK

AMOUNT CALCULATED 6,900 lbs
 AMOUNT USED 6,000 lbs
 SAND, SIZE 10-20
 FORMATION COLLAPSE:
 FROM _____ TO _____
 PRODUCT Colorado Silica Sands
 MFG. BY Carmeuse Ind. Sands
 METHOD INSTALLED:
 POURED TREMIE

SURVEY INFORMATION

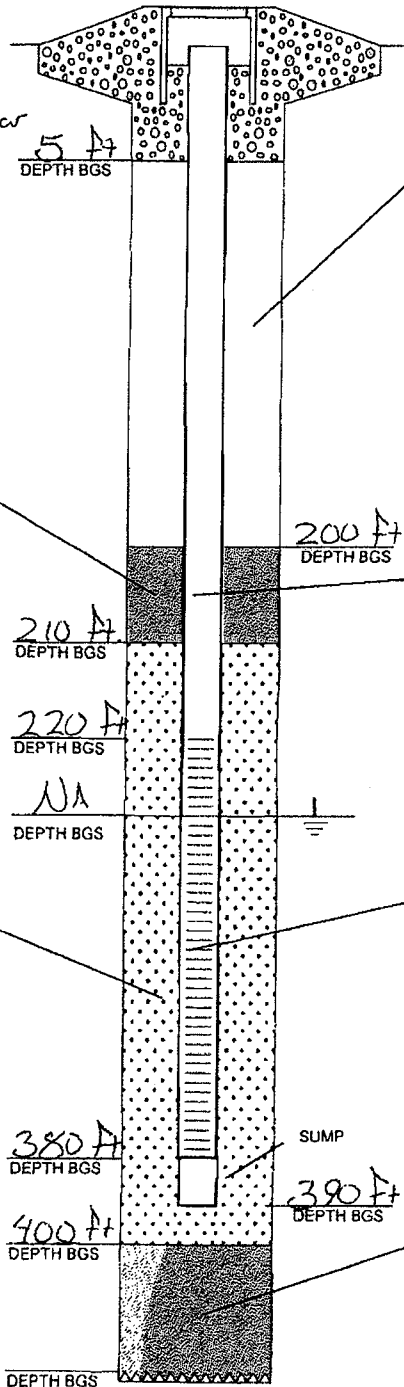
TOC ELEVATION _____
 GROUND ELEVATION _____
 NORTHING CORD. _____
 EASTING CORD. _____
 DATE SURVEYED _____
 SURVEY CO. _____

CENTRALIZERS USED?

YES NO
 CENTRALIZER DEPTHS: 380', 340', 300',
260', 220', 180', 140',
100', - 60'

SURFACE COMPLETION

FLUSH MOUNT
 ABOVE GROUND W/BUMPER POST
 CONCRETE ASPHALT



EXTRACTION WELL

EXTRACTION WELL NO. EW-5
 PROJECT 27-095
 SITE Nacimiedo Copper Mine
 BOREHOLE NO. 5
 WELL PERMIT NO. RG-30534PUD9
 TOC TO BOTTOM OF WELL 390 Ft

ANNULAR SEAL

AMOUNT CALCULATED _____
 AMOUNT USED ~20 bags (bentonite)
 GROUT FORMULA
 PORTLAND CEMENT ~30' to 5'
 BENTONITE 200' to ~30'
 WATER _____
 PREPARED MIX
 PRODUCT Wyoming Bentonite | Portland Type VII
 MFG. BY Smooth Green | Phoenix
 METHOD INSTALLED: Concret
 POURED TREMIE

CASING

SCHEDULE 80 PVC (200' + 10' sump)
 Steel (top 20')
 PRODUCT _____
 MFG. BY _____
 CASING DIAMETER:
 ID 6.025" OD 6.625"
 LENGTH OF CASING 220' + 10' sump

WELL SCREEN

SCHEDULE 80 PVC

 PRODUCT _____
 MFG. BY Mono
 CASING DIAMETER:
 ID 6.025" OD 6.625"
 SLOT SIZE 0.015"
 LENGTH OF SCREEN 160'

BOREHOLE BACKFILL

AMOUNT CALCULATED 0
 AMOUNT USED 0
 BENTONITE CHIPS, SIZE _____
 SAND _____
 CEMENT _____
 FORMATION COLLAPSE _____
 PRODUCT _____
 MFG. BY _____
 METHOD INSTALLED:
 POURED TREMIE



Project Name and Location: Nacimiento Copper Mine, NM							Job #: 27-095			
Elevation:		Date Started: 6/24/2008		Time Started: 15:55		Name: EW-5				
Drilling Method: Mud Rotary			Drilling Diameter: 10 5/8 inches			Completion Depth: 400 feet				
First Water Level: NA		Second Water Level (date and time):								
Drilling Co: WDC			Driller: Hector Leon and Juan Aguilar							
Logger: Julia Danz			Signature: <i>Julia Danz</i>							
Depth (feet bgs)	Unit Graphic	Description	Estimate % of				Notes			
			Gr	Sa	Si	Cl				
0										
5										
10										
15										
20	Shale	grey-green								
25										
30	Shale	grey-green								
35										
40	Shale	grey-green								
45										
50										
55										
60	Shale	grey-green								
65										
70										
75										
80	Shale	red								
85										
90										
95										
100	Shale	grey								
105										
110	Shale	grey								
115	Shale	grey; fine grained sand								
120										
125										
130	Shale	grey								
135										
140	Shale	grey								
145										
150	Shale	grey								
155										
160	Shale	grey								
165										
170	Shale	grey								
175										
180	Shale	grey								
185										
190	Shale	grey								
195										



Project Name and Location: Nacimiento Copper Mine, NM										Job #: 27-095	
Elevation:		Date Started: 6/24/2008		Time Started: 15:55			Name: EW-5				
Drilling Method: Mud Rotary		Drilling Diameter: 10 5/8 inches			Completion Depth: 400 feet						
First Water Level: NA		Second Water Level (date and time):									
Drilling Co: WDC		Driller: Hector Leon and Juan Aguilar									
Logger: Julia Danz		Signature: <i>Julia Danz</i>									
Depth (feet bgs)	Unit Graphic	Description	Estimate % of				Notes				
			Gr	Sa	Si	Cl					
200	Shale	grey									
205											
210	Shale	grey									
215											
220	Shale	grey									
225											
230	Sandstone	fine to coarse grain quartz sand					Aqua Zarca at 227 feet				
235	Sandstone	fine to coarse grain quartz sand									
240	Sandstone	fine grained quartz sand									
245											
250											
255											
260											
265											
270											
275											
280											
285											
290											
295											
300											
305											
310	Sandstone	very fine to fine grain quartz sand									
315											
320	Sandstone	very fine to fine grain quartz sand									
325											
330	Sandstone	very fine to fine grain quartz sand									
335											
340											
345											
350	Sandstone	very fine to medium grain quartz sand									
355											
360	Sandstone	very fine to coarse grain quartz, feldspar, and mafic sand									
365											
370	Sandstone	very fine to fine grain quartz sand; grey shale									
375	Shale	grey and red					Shale contact at 375 feet				
380	Shale	red and grey									
385	Shale	red									
390	Shale	red									
395	Shale	red									

**NEW MEXICO OFFICE OF THE STATE ENGINEER
APPLICATION FOR PERMIT
TO DRILL AN EXPLORATORY WELL**

1. APPLICANT:

Name: Engineering/Remediation Resources Group, Inc. Work Phone: 925-969-0750
Contact: Terry. R. Winsor, P.G. Home Phone: _____
Address: 185 Mason Circle
Suite A
City: Concord State: CA Zip: 94520

2. LOCATION OF WELL (A, B, C, or D required, E or F if known):

- A. SW 1/4 SW 1/4 NW 1/4 Section: 1 Township: 20N Range: 1W N.M.P.M.
in Sandoval County.
- B. X = _____ feet, Y = _____ feet, N.M. Coordinate System
Zone in the _____ Grant.
U.S.G.S. Quad Map Cuba
- C. Latitude: _____ d _____ m _____ s Longitude: _____ d _____ m _____ s
- D. East 308145.57 (m), North 1817169.57 (m), UTM Zone 13, NAD 27 (27 or 83)
- E. Tract No. _____, Map No. _____ of the _____ Hydrographic Survey
- F. Lot No. _____, Block No. _____ of Unit/Tract _____ of the
_____ Subdivision recorded in _____ County.
- G. Other: _____
- H. Give State Engineer File Number of existing well: _____
- I. On land owned by (required): US Department of Agriculture Forest Service,
(Cuba Ranger Station, Santa Fe National Forest)

3. WELL INFORMATION: EW-5

Approximate depth 340 feet; Outside diameter of casing 6.625 inches.
Name of well driller and driller license number: WDC Exploration and Wells,
WD-1210

4. ADDITIONAL STATEMENT OR EXPLANATIONS:

EW-5 is one of nine (9) extraction wells to be installed as part of the Nacimiento Copper Mine OU2 Remedial Action. As provided by a contract with the USDA Forest Service, the remedial action is for groundwater that is contaminated with metals (aluminum, cadmium, copper, iron, lead, manganese, nickel and zinc) and acids (primarily sulfuric acid but also includes ferric acid, aluminum sulfate, and ferrous sulfate). Contaminated groundwater that is more than 150 feet below the ground surface in the area of construction will be pumped from extraction wells constructed with nominal 6-inch Schedule PVC casing to a settling pond and semi-passive alcohol-enhanced bioreactor where it will be remediated before being discharged to surface waters.

Do Not Write Below This Line

File Number: _____
Form: wr-07

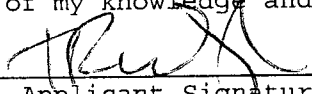
Trn Number: _____
page 1 of 2

**NEW MEXICO OFFICE OF THE STATE ENGINEER
APPLICATION FOR PERMIT
TO DRILL AN EXPLORATORY WELL**

ACKNOWLEDGEMENT

(I, We) Terry R. Winsor, P.G. and ERRG, Inc. affirm that the
(Please Print)
foregoing statements are true to the best of my knowledge and belief.

Applicant Signature



Applicant Signature

ACTION OF STATE ENGINEER

This application is approved/denied/partially approved provided it is not exercised to the detriment of any others having existing rights, and is not contrary to the conservation of water in New Mexico nor detrimental to the public welfare, and further subject to the following conditions: _____

Witness my hand and seal this _____ day of _____, 20 _____

_____, State Engineer

By: _____

NEW MEXICO OFFICE OF THE STATE ENGINEER

Do Not Write Below This Line

**NEW MEXICO OFFICE OF THE STATE ENGINEER
PERMIT TO EXPLORE
CONDITIONS OF APPROVAL**

This application is approved provided it is exercised to the detriment of any others having existing rights, and is not contrary to the conservation of water in New Mexico nor detrimental to the public welfare of the state; and further subject to the following conditions of approval:

Permittee: Engineering/Remediation Resources Group, Inc.
c/o Terry R. Winsor, P.G., 185 Mason Circle, Suite A
Concord, California 94520

Permit Numbers: RG-30534 POD5 thru RG-30534 POD13

Application File Date: August 23 and 27, 2007

Points of Diversion: RG-30534 POD5 (designated EW-1) to be located at a point where East=308,053.58 meters and North=1,817,012.22 meters, UTM Zone 13, NAD 1927;

RG-30534 POD6 (designated EW-2) to be located at a point where East=308,037.75 meters and North=1,817,203.96 meters, UTM Zone 13, NAD 1927;

RG-30534 POD7 (designated EW-3) to be located at a point where East=308,010.14 meters and North=1,817,480.94 meters, UTM Zone 13, NAD 1927;

RG-30534 POD8 (designated EW-4) to be located at a point where East=308,140.37 meters and North=1,817,012.22 meters, UTM Zone 13, NAD 1927;

RG-30534 POD9 (designated EW-5) to be located at a point where East=308,145.57 meters and North=1,817,169.57 meters, UTM Zone 13, NAD 1927;

RG-30534 POD10 (designated EW-6) to be located at a point where East=308,179.49 meters and North=1,817,290.09 meters, UTM Zone 13, NAD 1927;

RG-30534 POD11 (designated EW-7) to be located at a point where East=308,314.07 meters and North=1,817,051.29 meters, UTM Zone 13, NAD 1927;

*Permit to Explore
Conditions of Approval
Page 2*

RG-30534 POD12 (designated EW-9) to be located at a point where East=308,320.55 meters and North=1,817,155.49 meters, UTM Zone 13, NAD 1927;

RG-30534 POD13 (designated EW-9) to be located at a point where East=308,339.29 meters and North=1,817,290.09 meters, UTM Zone 13, NAD. 1927; all wells on land owned by US Department of Agriculture Forest Service, Sandoval County, New Mexico.

1. No water shall be appropriated and beneficially used under this permit.
2. The wells shall be drilled by a driller licensed in accordance with 19.27.4 NMAC.
3. A complete and properly executed Well Record on the form provided by the State Engineer shall be filed in accordance with Subsection K of 19.27.4.29 NMAC. Test data shall be filed not later than ten (10) days after completion of the test(s).
4. No water shall be diverted from the wells except for testing purposes which shall not exceed ten (10) cumulative days, and the wells shall be plugged in accordance with Subsection C of 19.27.4.30 NMAC on or before October 9, 2008, unless a permit to use water from this well is acquired from the Office of the State Engineer.
5. If artesian water is encountered, the permittee and driller shall comply with Subsection C of 19.27.4.31 NMAC.
6. Wells numbered RG-30534 POD5 thru RG-30534 POD13 must be completed and the Well Records filed on or before October 9, 2008.

Witness my hand and seal this 9th day of October, A.D. 2007.

John R. D'Antonio, Jr., P.E.
NEW MEXICO STATE ENGINEER

By: Nancy Cunningham Rodriguez
Nancy Cunningham Rodriguez
Water Resource Supervisor, District 1

Transaction Number: 389840

STATE ENGINEER OFFICE
WELL RECORD

Section 1. GENERAL INFORMATION

(A) Owner of well Leo and Pauline Jacquez Owner's Well No. _____
Street or Post Office Address 3402 Sue Circle
City and State Rio Rancho, N.M. 87124

Well was drilled under Permit No. RG-55709 and is located in the:

- a. 1/4 NW 1/4 SW 1/4 NE 1/4 of Section 3 Township 20N Range 1W N.M.P.M.
- b. Tract No. _____ of Map No. _____ of the _____
- c. Lot No. _____ of Block No. _____ of the _____
Subdivision, recorded in Sandoval County.
- d. X= _____ feet, Y= _____ feet, N.M. Coordinate System _____ Zone in the _____ Grant.

(B) Drilling Contractor Satisfaction Drilling License No. WD-1252

Address 3516 Hwy. 47 Los Lunas, N.M. 87031

Drilling Began 8/26/92 Completed 8/28/92 Type tools Rotary Size of hole 6 1/4 in.

Elevation of land surface or _____ at well is _____ ft. Total depth of well 30 ft.

Completed well is shallow artesian. Depth to water upon completion of well 20 ft.

Section 2. PRINCIPAL WATER-BEARING STRATA

Depth in Feet		Thickness in Feet	Description of Water-Bearing Formation	Estimated Yield (gallons per minute)
From	To			
20	30	10	Shell and Red Clay	0-1

Section 3. RECORD OF CASING

Diameter (inches)	Pounds per foot	Threads per in.	Depth in Feet		Length (feet)	Type of Shoe	Perforations	
			Top	Bottom			From	To
4	PVC	Sch 40	0	10	10	Factory	10	30

Section 4. RECORD OF MUDDING AND CEMENTING

Depth in Feet		Hole Diameter	Sacks of Mud	Cubic Feet of Cement	Method of Placement
From	To				
0	30	6 1/4	3		None

Section 5. PLUGGING RECORD

Plugging Contractor _____

Address _____

Plugging Method _____

Date Well Plugged _____

Plugging approved by: _____

State Engineer Representative

No.	Depth in Feet		Cubic Feet of Cement
	Top	Bottom	
1			
2			
3			
4			

FOR USE OF STATE ENGINEER ONLY

Date Received Sept 2, 1992

Quad _____ FWL _____ FSL _____

File No. RG-55709 Use dam Location No. 20N. 1W. 3. 231 (Sand)

STATE ENGINEER OFFICE
WELL RECORD

Section 1. GENERAL INFORMATION

(A) Owner of well Ron Jay Sorrow Owner's Well No. _____
Street or Post Office Address P.O. Box 1232
City and State Cuba, N.M. 87013

Well was drilled under Permit No. RG 67914 and is located in the:

- a. NW ¼ NE ¼ SE ¼ _____ ¼ of Section 03 Township 20N Range 01W N.M.P.M.
- b. Tract No. _____ of Map No. _____ of the _____
- c. Lot No. _____ of Block No. _____ of the _____
Subdivision, recorded in Sandoval County.
- d. X= _____ feet, Y= _____ feet, N.M. Coordinate System _____ Zone in the _____ Grant.

(B) Drilling Contractor Loyd Ingram Ingram's Well Service License No. WD 1394

Address P.O. Box 59 Lindrith, N.M. 87029

Drilling Began 7/7/97 Completed 7/15/97 Type tools Rotary- air Size of hole 3.5 in.

Elevation of land surface or site at well is 7200 ft. Total depth of well 420 ft.

Completed well is shallow artesian. Depth to water upon completion of well 50 ft.

Section 2. PRINCIPAL WATER-BEARING STRATA

Depth in Feet		Thickness in Feet	Description of Water-Bearing Formation	Estimated Yield (gallons per minute)
From	To			
40	50	10	Wet Shale	.5

Section 3. RECORD OF CASING

Diameter (inches)	Pounds per foot	Threads per in.	Depth in Feet		Length (feet)	Type of Shoe	Perforations	
			Top	Bottom			From	To
4.5							40	60
							380	420

Section 4. RECORD OF MUDDING AND CEMENTING

Depth in Feet		Hole Diameter	Sacks of Mud	Cubic Feet of Cement	Method of Placement
From	To				

Section 5. PLUGGING RECORD

Plugging Contractor _____
Address _____
Plugging Method _____
Date Well Plugged _____
Plugging approved by: _____

No.	Depth in Feet		Cubic Feet of Cement
	Top	Bottom	
1			
2			
3			
4			

State Engineer Representative

STATE ENGINEER OFFICE
 ALBUQUERQUE, N.M. 87103
 97 JUL 23 AM 2:28

Date Received 7-23-97 FOR USE OF STATE ENGINEER ONLY

File No. 26-67914 Use DOM Quad _____ FWL _____ FSL _____
Location No. 20N.01W.03.421

STATE ENGINEER OFFICE

WELL RECORD

Section 1. GENERAL INFORMATION

(A) Owner of well Patrick L. Halligan Owner's Well No. RG 37766
 Street or Post Office Address Box 368
 City and State Cuba N. Mex 87013

Well was drilled under Permit No. _____ and is located in the:

- a. SE ¼ SW ¼ SE ¼ _____ ¼ of Section 6 Township 20N Range 1 N.M.P.M.
- b. Tract No. _____ of Map No. _____ of the _____
- c. Lot No. _____ of Block No. _____ of the _____
 Subdivision, recorded in Sandoval County.
- d. X= _____ feet, Y= _____ feet, N.M. Coordinate System _____ Zone in the _____ Grant.

(B) Drilling Contractor Leon's Drilling Co. License No. W 1567
 Address P.O. Box 361 Cuba N. Mex 87013

Drilling Began 6-1-82 Completed 6-10-82 Type tools rotary Size of hole 8 3/4 in.

Elevation of land surface or _____ at well is _____ ft. Total depth of well _____ ft.

Completed well is shallow artesian. Depth to water upon completion of well _____ ft.

Section 2. PRINCIPAL WATER-BEARING STRATA

Depth in Feet		Thickness in Feet	Description of Water-Bearing Formation	Estimated Yield (gallons per minute)
From	To			
<u>45</u>	<u>65</u>	<u>20</u>	<u>Gravel & Sand stone</u>	<u>20</u>

Section 3. RECORD OF CASING

Diameter (inches)	Pounds per foot	Threads per in.	Depth in Feet		Length (feet)	Type of Shoe	Perforations	
			Top	Bottom			From	To
<u>6 5/8</u>	<u>12</u>		<u>0</u>	<u>82</u>	<u>20</u>	<u>none</u>	<u>45</u>	<u>65</u>

Section 4. RECORD OF MUDDING AND CEMENTING

Depth in Feet		Hole Diameter	Sacks of Mud	Cubic Feet of Cement	Method of Placement
From	To				

Section 5. PLUGGING RECORD

Plugging Contractor _____
 Address _____
 Plugging Method _____
 Date Well Plugged _____
 Plugging approved by: _____

State Engineer Representative

No.	Depth in Feet		Cubic Feet of Cement
	Top	Bottom	
1			
2			
3			
4			

FOR USE OF STATE ENGINEER ONLY

Date Received _____

Quad _____ FWL _____ FSL _____

File No. RG-37766

Use D/S

Location No. SW ¼, SW ¼, SE ¼, Sec 20N, R1W

Sand Co.

WELL RECORD

Section 1. GENERAL INFORMATION

(A) Owner of well Cosmet Herrera Owner's Well No. _____
 Street or Post Office Address P.O. Box 6
 City and State Cuba, NM 87013

Well was drilled under Permit No. RG-59568 and is located in the:

- a. SW $\frac{1}{4}$ SW $\frac{1}{4}$ SW $\frac{1}{4}$ of Section 6 Township 20N Range 1W N.M.P.M.
- b. Tract No. 2 of Map No. _____ of the _____
- c. Lot No. _____ of Block No. _____ of the _____
 Subdivision, recorded in Sandoval County.
- d. X= _____ feet, Y= _____ feet, N.M. Coordinate System _____ Zone in the _____ Grant.

(B) Drilling Contractor Garcia & Sons Drilling Company License No. WD-1289
 Address 28 Garcia Loop Tijeras, NM 87059

Drilling Began 06-22-94 Completed 06-28-94 Type tools Rotary Size of hole 6 $\frac{1}{2}$ in.

Elevation of land surface or _____ at well is _____ ft. Total depth of well 225 ft.

Completed well is shallow artesian. Depth to water upon completion of well 75 ft.

Section 2. PRINCIPAL WATER-BEARING STRATA

Depth in Feet		Thickness in Feet	Description of Water-Bearing Formation	Estimated Yield (gallons per minute)
From	To			
75	225	150	Colored clay, shell and sandstone	10 gallons

Section 3. RECORD OF CASING

Diameter (inches)	Pounds per foot	Threads per in.	Depth in Feet		Length (feet)	Type of Shoe	Perforations	
			Top	Bottom			From	To
4 $\frac{1}{2}$		pvc	0	225	20	cup	120	140
							160	225

Section 4. RECORD OF MUDDING AND CEMENTING

Depth in Feet		Hole Diameter	Sacks of Mud	Cubic Feet of Cement	Method of Placement
From	To				

Section 5. PLUGGING RECORD

Plugging Contractor _____
 Address _____
 Plugging Method _____
 Date Well Plugged _____
 Plugging approved by: _____
 State Engineer Representative

No.	Depth in Feet		Cubic Feet of Cement
	Top	Bottom	
1			
2			
3			
4			

FOR USE OF STATE ENGINEER ONLY

Date Received 7/7/94

Quad _____ FWL _____ FSL _____

File No. RG-59568 Use Don Location No. 20N.01W.06.333

STATE ENGINEER OFFICE

WELL RECORD

CORRECTED COPY

Section 1. GENERAL INFORMATION

(A) Owner of well Pat Gallegos Owner's Well No. _____
 Street or Post Office Address P.O. Box 368
 City and State Cuba, NM 87013

Well was drilled under Permit No. RG-60924 and is located in the:

a. NE ¼ NE ¼ SE ¼ of Section 6 Township 20N Range 1W N.M.P.M.
 b. Tract No. _____ of Map No. _____ of the _____
 c. Lot No. _____ of Block No. _____ of the _____
 Subdivision, recorded in Sandoval County.
 d. X= _____ feet, Y= _____ feet, N.M. Coordinate System _____
 the _____ Zone in Grant.

(B) Drilling Contractor Garcia & Sons Drilling Company License No. WD-1389
 Address 28 Garcia Loop Tijeras, NM 87059

Drilling Began 11-28-94 Completed 12-03-94 Type tools Rotary Size of hole 6½ in.

Elevation of land surface or _____ at well is _____ ft. Total depth of well 385 ft.

Completed well is shallow artesian. Depth to water upon completion of well 90 ft.

Section 2. PRINCIPAL WATER-BEARING STRATA

Depth in Feet		Thickness in Feet	Description of Water-Bearing Formation	Estimated Yield (gallons per minute)
From	To			
90	385	295	Colored clay and rock	5 gallons
			CORRECTED INFORMATION*****	Less than ½ to
				1 gallon p.m.

Section 3. RECORD OF CASING

Diameter (inches)	Pounds per foot	Threads per in.	Depth in Feet		Length (feet)	Type of Shoe	Perforations	
			Top	Bottom			From	To
4½		pvc	0	385	20	cup	100	120
							180	200
							220	240
							300	320
							360	385

Section 4. RECORD OF MUDDING AND CEMENTING

Depth in Feet		Hole Diameter	Sacks of Mud	Cubic Feet of Cement	Method of Placement
From	To				

Section 5. PLUGGING RECORD

Plugging Contractor _____
 Address _____
 Plugging Method _____
 Date Well Plugged _____
 Plugging approved by: _____

State Engineer Representative

No.	Depth in Feet		Cubic Feet of Cement
	Top	Bottom	
1			
2			
3			
4			

FOR USE OF STATE ENGINEER ONLY

Date Received 12-13-94

Quad _____ FWL _____ FSL _____

File No. RG-60924 Use DOM Location No. 20N.01W.06.422

STATE ENGINEER OFFICE
WELL RECORD

Section 1. GENERAL INFORMATION

(A) Owner of well Emilio S. Cordova Owner's Well No. _____
Street or Post Office Address P. O. Box 1570 #469 County Road II
City and State Cuba, NM 87013

Well was drilled under Permit No. RG-61048 and is located in the:

- a. NE $\frac{1}{4}$ NE $\frac{1}{4}$ SW $\frac{1}{4}$ of Section 21 Township 20N Range 1W N.M.P.M.
- b. Tract No. _____ of Map No. _____ of the _____
- c. Lot No. _____ of Block No. _____ of the _____
Subdivision, recorded in Sandoval County.
- d. X= _____ feet, Y= _____ feet, N.M. Coordinate System _____ Zone in the _____ Grant.

(B) Drilling Contractor Garcia & Sons Drilling Company License No. WD-1289

Address 28 Garcia Loop Tijeras, NM 87059

Drilling Began 12-12-94 Completed 12-19-94 Type tools Rotary Size of hole 6 $\frac{1}{2}$ in.

Elevation of land surface or _____ at well is _____ ft. Total depth of well 485 ft.

Completed well is shallow artesian. Depth to water upon completion of well 55 ft.

Section 2. PRINCIPAL WATER-BEARING STRATA

Depth in Feet		Thickness in Feet	Description of Water-Bearing Formation	Estimated Yield (gallons per minute)
From	To			
55	485	430	Colored clay and sandstone	1 gallon

Section 3. RECORD OF CASING

Diameter (inches)	Pounds per foot	Threads per in.	Depth in Feet		Length (feet)	Type of Shoe	Perforations	
			Top	Bottom			From	To
4 $\frac{1}{2}$		pvc	0	485	20	cup	40	80
							160	180
							300	320
							460	485

Section 4. RECORD OF MUDDING AND CEMENTING

Depth in Feet		Hole Diameter	Sacks of Mud	Cubic Feet of Cement	Method of Placement
From	To				

Section 5. PLUGGING RECORD

Plugging Contractor _____

Address _____

Plugging Method _____

Date Well Plugged _____

Plugging approved by: _____

State Engineer Representative

No.	Depth in Feet		Cubic Feet of Cement
	Top	Bottom	
1			
2			
3			
4			

FOR USE OF STATE ENGINEER ONLY

Date Received 12-28-94

Quad _____ FWL _____ FSL _____

File No. RG-61048 Use DOM Location No. 20N.01W.21.322

STATE ENGINEER OFFICE
WELL RECORD

Section 1. GENERAL INFORMATION

(A) Owner of well Ernest E. Cordova Owner's Well No. _____
Street or Post Office Address P.O. Box 31
City and State Cuba, NM 87013

Well was drilled under Permit No. RG-33429 and is located in the:

- a. SE ¼ NW ¼ SE ¼ _____ ¼ of Section 28 Township 20N Range 1W N.M.P.M.
- b. Tract No. _____ of Map No. _____ of the _____
- c. Lot No. _____ of Block No. _____ of the _____
Subdivision, recorded in Sandoval County.
- d. X= _____ feet, Y= _____ feet, N.M. Coordinate System _____ Zone in the _____ Grant.

(B) Drilling Contractor Garcia's & Sons Drilling Co. License No. WD-1289
Address 28 Garcia Loop Tijeras, NM 87059

Drilling Began 05-20-95 Completed 05-22-95 Type tools Rotary Size of hole 6½ in.
Elevation of land surface or _____ at well is _____ ft. Total depth of well 305 ft.
Completed well is shallow artesian. Depth to water upon completion of well 40 ft.

Section 2. PRINCIPAL WATER-BEARING STRATA

Depth in Feet		Thickness in Feet	Description of Water-Bearing Formation	Estimated Yield (gallons per minute)
From	To			
40	305	265	Green, gray clay and rock	5 gallons

Section 3. RECORD OF CASING

Diameter (inches)	Pounds per foot	Threads per in.	Depth in Feet		Length (feet)	Type of Shoe	Perforations	
			Top	Bottom			From	To
4½		pvc	0	305	20	cup	180	280

Section 4. RECORD OF MUDDING AND CEMENTING

Depth in Feet		Hole Diameter	Sacks of Mud	Cubic Feet of Cement	Method of Placement
From	To				

Section 5. PLUGGING RECORD

Plugging Contractor _____
Address _____
Plugging Method _____
Date Well Plugged _____
Plugging approved by: _____
State Engineer Representative

No.	Depth in Feet		Cubic Feet of Cement
	Top	Bottom	
1			
2			
3			
4			

FOR USE OF STATE ENGINEER ONLY

Date Received 5-25-96 Quad _____ FWL _____ FSL _____
File No. RG-33429 Use Dom. Location No. 20N.01W.28.414

STATE ENGINEER OFFICE
 RECEIVED
 MAY 25 1996

STATE ENGINEER OFFICE
WELL RECORD

Section 1. GENERAL INFORMATION

(A) Owner of well Gene Romero Owner's Well No. _____
Street or Post Office Address 10143 Paseo del Norte NE
City and State Albuquerque, NM 87114

Well was drilled under Permit No. RG-61617 and is located in the:

- a. SW ¼ SE ¼ NE ¼ _____ ¼ of Section 28 Township 20N Range 01W N.M.P.M.
- b. Tract No. _____ of Map No. _____ of the _____
- c. Lot No. _____ of Block No. _____ of the San Pablo Quadrangle, USGS 7.5 Minute Series
Subdivision, recorded in Sandoval County. 29.1.1
- d. X= _____ feet, Y= _____ feet, N.M. Coordinate System _____ Zone in
the _____ Grant.

(B) Drilling Contractor Garcia's & Sons Drilling Company License No. WD-1289

Address 28 Garcia Loop Tijeras, NM 87059

Drilling Began 04-25-95 Completed 04-28-95 Type tools Rotary Size of hole 6½ in.

Elevation of land surface or _____ at well is _____ ft. Total depth of well 460 ft.

Completed well is shallow artesian. Depth to water upon completion of well 240 ft.

Section 2. PRINCIPAL WATER-BEARING STRATA

Depth in Feet		Thickness in Feet	Description of Water-Bearing Formation	Estimated Yield (gallons per minute)
From	To			
240	460	220	Black rock, sandstone, and shell	15 gallons

Section 3. RECORD OF CASING

Diameter (inches)	Pounds per foot	Threads per in.	Depth in Feet		Length (feet)	Type of Shoe	Perforations	
			Top	Bottom			From	To
4½		pvc	0	460	20	cup	380	400
							440	460

Section 4. RECORD OF MUDDING AND CEMENTING

Depth in Feet		Hole Diameter	Sacks of Mud	Cubic Feet of Cement	Method of Placement
From	To				

Section 5. PLUGGING RECORD

Plugging Contractor _____

Address _____

Plugging Method _____

Date Well Plugged _____

Plugging approved by: _____

State Engineer Representative

No.	Depth in Feet		Cubic Feet of Cement
	Top	Bottom	
1			
2			
3			
4			

STATE ENGINEER OFFICE
 ALBUQUERQUE, N.M.
 MAY 4 9 59

FOR USE OF STATE ENGINEER ONLY

Date Received 5/4/95

Quad _____ FWL _____ FSL _____

File No. RG-61617 Use Don Location No. 20N. 01W. 28. 243

STATE ENGINEER OFFICE
WELL RECORD

Section 1. GENERAL INFORMATION

(A) Owner of well Sally J. Casaus Owner's Well No. _____
Street or Post Office Address P.O. Box 1559
City and State Cuba, NM 87013

Well was drilled under Permit No. RG-61925 and is located in the:

- a. SE ¼ NW ¼ NE ¼ _____ ¼ of Section 28 Township 20N Range 1W N.M.P.M.
- b. Tract No. _____ of Map No. _____ of the _____
- c. Lot No. _____ of Block No. _____ of the _____
Subdivision, recorded in Sandoval County.
- d. X= _____ feet, Y= _____ feet, N.M. Coordinate System _____ Zone in the _____ Grant.

(B) Drilling Contractor Garcia's & Sons Drilling Co. License No. WD-1289
Address 28 Garcia Loop Tijeras, NM 87059

Drilling Began 05-26-95 Completed 05-27-95 Type tools Rotary Size of hole 6½ in.

Elevation of land surface or _____ at well is _____ ft. Total depth of well 505 ft.

Completed well is shallow artesian. Depth to water upon completion of well 200 ft.

Section 2. PRINCIPAL WATER-BEARING STRATA

Depth in Feet		Thickness in Feet	Description of Water-Bearing Formation	Estimated Yield (gallons per minute)
From	To			
200	505	305	Gray shell and sandstone	5 - 8 gallons

Section 3. RECORD OF CASING

Diameter (inches)	Pounds per foot	Threads per in.	Depth in Feet		Length (feet)	Type of Shoe	Perforations	
			Top	Bottom			From	To
4½		pvc	0	505	20	cup	440	505

Section 4. RECORD OF MUDDING AND CEMENTING

Depth in Feet		Hole Diameter	Sacks of Mud	Cubic Feet of Cement	Method of Placement
From	To				

Section 5. PLUGGING RECORD

Plugging Contractor _____
Address _____
Plugging Method _____
Date Well Plugged _____
Plugging approved by: _____
State Engineer Representative

No.	Depth in Feet		Cubic Feet of Cement
	Top	Bottom	
1			
2			
3			
4			

FOR USE OF STATE ENGINEER ONLY

Date Received 6-2-95 Quad _____ FWL _____ FSL _____
File No. RG-61925 Use Dom. Location No. 20N. 01W. 28, 214

JUN 2 1995
 STATE ENGINEER OFFICE
 ALBUQUERQUE, N.M.

STATE ENGINEER OFFICE
WELL RECORD

Section 1. GENERAL INFORMATION

(A) Owner of well Clara E. McLean Vogel Owner's Well No. _____
Street or Post Office Address P.O. Box 11865
City and State Albuquerque N.M. 87142

Well was drilled under Permit No. RG 53615 and is located in the:
a. SW 1/4 SW 1/4 SW 1/4 of Section 29 Township 20 N Range 1 W N.M.P.M.
b. Tract No. _____ of Map No. _____ of the _____
c. Lot No. _____ of Block No. _____ of the _____
Subdivision, recorded in Sandoval County.
d. X= _____ feet, Y= _____ feet, N.M. Coordinate System _____ Zone in the _____ Grant.

(B) Drilling Contractor Leoni's Drilling Co. License No. WD 567
Address P.O. Box 261 Cuba N.Mex. 87013
Drilling Began 4-23-91 Completed 4-25-91 Type tools Rotary Air Size of hole 6 1/4 in.
Elevation of land surface or _____ at well is _____ ft. Total depth of well _____ ft.
Completed well is shallow artesian. Depth to water upon completion of well 100' ft.

Section 2. PRINCIPAL WATER-BEARING STRATA

Depth in Feet		Thickness in Feet	Description of Water-Bearing Formation	Estimated Yield (gallons per minute)
From	To			
<u>181</u>	<u>200</u>	<u>19</u>	<u>White</u>	<u>300 gal. 24 hrs.</u>

Section 3. RECORD OF CASING

Diameter (inches)	Pounds per foot	Threads per in.	Depth in Feet		Length (feet)	Type of Shoe	Perforations	
			Top	Bottom			From	To
<u>4 1/2 OD</u>	<u>160 lb</u>		<u>18 in. AB</u>	<u>200</u>	<u>20</u>		<u>130</u>	<u>200</u>
							<u>100</u>	
							<u>0</u>	

Section 4. RECORD OF MUDDING AND CEMENTING

Depth in Feet		Hole Diameter	Sacks of Mud	Cubic Feet of Cement	Method of Placement
From	To				

Section 5. PLUGGING RECORD

Plugging Contractor _____
Address _____
Plugging Method _____
Date Well Plugged _____
Plugging approved by: _____
State Engineer Representative

No.	Depth in Feet		Cubic Feet of Cement
	Top	Bottom	
<u>1</u>			
<u>2</u>			
<u>3</u>			
<u>4</u>			

FOR USE OF STATE ENGINEER ONLY

Date Received 3-18-92

Quad _____ FWL _____ FSL _____

File No. RG-53615 Use Stock Location No. 20N. 1W. 29. 333

STATE ENGINEER OFFICE
WELL RECORD

Section 1. GENERAL INFORMATION

(A) Owner of well Stacy & Ronny Trappman Owner's Well No. _____
Street or Post Office Address PO Box 487
City and State Cuba NM 87013

Well was drilled under Permit No. RG 66409 and is located in the:
a. $\frac{1}{4}$ SW $\frac{1}{4}$ SE $\frac{1}{4}$ NE of Section 33 Township 20N Range 1W N.M.P.M.
b. Tract No. B-1 of Map No. _____ of the Land of George & Maria Helms
c. Lot No. _____ of Block No. _____ of the _____
Subdivision, recorded in Sandoval County.
d. X= _____ feet, Y= _____ feet, N.M. Coordinate System _____ Zone in the _____ Grant.

(B) Drilling Contractor B & H Drilling License No. WD 815
Address 5730 Bruar Ln SW Alb 91711 87105
Drilling Began 1/9/97 Completed 1/22/97 Type tools rotary Size of hole 6 1/4 in.
Elevation of land surface or _____ at well is _____ ft. Total depth of well 395 ft.
Completed well is shallow artesian. Depth to water upon completion of well 300 ft.

Section 2. PRINCIPAL WATER-BEARING STRATA

Depth in Feet		Thickness in Feet	Description of Water-Bearing Formation	Estimated Yield (gallons per minute)
From	To			
<u>360</u>	<u>395</u>		<u>Sandstone</u>	<u>5 GPM</u>

Section 3. RECORD OF CASING

Diameter (inches)	Pounds per foot	Threads per in.	Depth in Feet		Length (feet)	Type of Shoe	Perforations	
			Top	Bottom			From	To
<u>4</u>	<u>PVC</u>		<u>+1 1/2</u>	<u>395</u>	<u>396.5</u>	<u>closed</u>	<u>360</u>	<u>395</u>

Section 4. RECORD OF MUDDING AND CEMENTING

Depth in Feet		Hole Diameter	Sacks of Mud	Cubic Feet of Cement	Method of Placement
From	To				

Section 5. PLUGGING RECORD

Plugging Contractor _____
Address _____
Plugging Method _____
Date Well Plugged _____
Plugging approved by: _____

No.	Depth in Feet		Cubic Feet of Cement
	Top	Bottom	
<u>1</u>			
<u>2</u>			
<u>3</u>			
<u>4</u>			

State Engineer Representative

STATE ENGINEER OFFICE
ALBUQUERQUE, NEW MEXICO
97 APR -9 PM 1:03

Date Received 4-9-97 FOR USE OF STATE ENGINEER ONLY
Quad _____ FWL _____ FSL _____
File No. RG-66409 Use Dom Location No. 20N.01W.33.343

STATE ENGINEER OFFICE
WELL RECORD

Section 1. GENERAL INFORMATION

(A) Owner of well Roberto Rodriguez Owner's Well No. _____
Street or Post Office Address P.O. Box 1083
City and State Cuba, NM 87015

Well was drilled under Permit No. RG-68817 and is located in the:

- a. SE ¼ NE ¼ SE ¼ _____ ¼ of Section 33 Township 20N Range 01W N.M.P.M.
- b. Tract No. _____ of Map No. _____ of the _____
- c. Lot No. _____ of Block No. _____ of the _____
Subdivision, recorded in Sandoval County.
- d. X= _____ feet, Y= _____ feet, N.M. Coordinate System _____ Zone in the _____ Grant.

(B) Drilling Contractor Garcia's & Sons Drilling Co. License No. WD-539

Address #84 East Highway 66 - Albuquerque, NM 87123

Drilling Began 12-20-97 Completed 12-26-97 Type tools Rotary Size of hole 6½ in.

Elevation of land surface or _____ at well is _____ ft. Total depth of well 385 ft.

Completed well is shallow artesian. Depth to water upon completion of well 100 ft.

Section 2. PRINCIPAL WATER-BEARING STRATA

Depth in Feet		Thickness in Feet	Description of Water-Bearing Formation	Estimated Yield (gallons per minute)
From	To			
100	385	285	Colored clay and sandstone	6 - 8 gallons

Section 3. RECORD OF CASING

Diameter (inches)	Pounds per foot	Threads per in.	Depth in Feet		Length (feet)	Type of Shoe	Perforations	
			Top	Bottom			From	To
4½ - 40		pvc	0	385	20	cup	120	140
							160	180
							300	320
							360	385

Section 4. RECORD OF MUDDING AND CEMENTING

Depth in Feet		Hole Diameter	Sacks of Mud	Cubic Feet of Cement	Method of Placement
From	To				

Section 5. PLUGGING RECORD

Plugging Contractor _____
Address _____
Plugging Method _____
Date Well Plugged _____
Plugging approved by: _____
State Engineer Representative

No.	Depth in Feet		Cubic Feet of Cement
	Top	Bottom	
1			
2			
3			
4			

STATE ENGINEER OFFICE
ALBUQUERQUE, N.M.
98 JAN -5 AM 11:25

FOR USE OF STATE ENGINEER ONLY

Date Received 1-5-98

Quad _____ FWL _____ FSL _____

File No. RG-68817 Use Dem Location No. 20N-1W-33 424

STATE ENGINEER OFFICE
WELL RECORD

105569

Section 1. GENERAL INFORMATION

(A) Owner of well Manuel Montoya for the Montoya & Lucero families Owner's Well No. _____
Street or Post Office Address PO Box 1887
City and State Cuba, New Mexico

Well was drilled under Permit No. RG-28009 and is located in the:
a. _____ ¼ _____ ¼ _____ ¼ _____ ¼ of Section 36 Township 20N Range 1W N.M.P.M.
b. Tract No. _____ of Map No. _____ of the _____
c. Lot No. _____ of Block No. _____ of the _____
Subdivision, recorded in _____ County.
d. X= _____ feet, Y= _____ feet, N.M. Coordinate System _____ Zone in
the _____ Grant.

(B) Drilling Contractor owner License No. _____

Address _____

Drilling Began 5/77 Completed 1977 Type tools hand Size of hole 12 in.

Elevation of land surface or _____ at well is 7640 ft. Total depth of well 20 ft.

Completed well is shallow artesian. Depth to water upon completion of well 5 ft.

Section 2. PRINCIPAL WATER-BEARING STRATA

Depth in Feet		Thickness in Feet	Description of Water-Bearing Formation	Estimated Yield (gallons per minute)
From	To			
0	5	20	western face of uplift water originating in Morisen dug Chinle	3

Section 3. RECORD OF CASING

Diameter (inches)	Pounds per foot	Threads per in.	Depth in Feet		Length (feet)	Type of Shoe	Perforations	
			Top	Bottom			From	To
2	120		0	20	20		0	20

Section 4. RECORD OF MUDDING AND CEMENTING

Depth in Feet		Hole Diameter	Sacks of Mud	Cubic Feet of Cement	Method of Placement
From	To				
0	20	8"			hand

Section 5. PLUGGING RECORD

Plugging Contractor _____
Address _____
Plugging Method _____
Date Well Plugged _____
Plugging approved by: _____
State Engineer Representative

No.	Depth in Feet		Cubic Feet of Cement
	Top	Bottom	
1			
2			
3			
4			

STATE ENGINEER OFFICE
ALBUQUERQUE, NEW MEXICO
97 AUG 22 AM 10:05

Date Received 8-22-97 FOR USE OF STATE ENGINEER ONLY
File No. RG-28009 Use D/S Quad _____ FWL _____ FSL _____
Location No. 20N.01W.36.23

